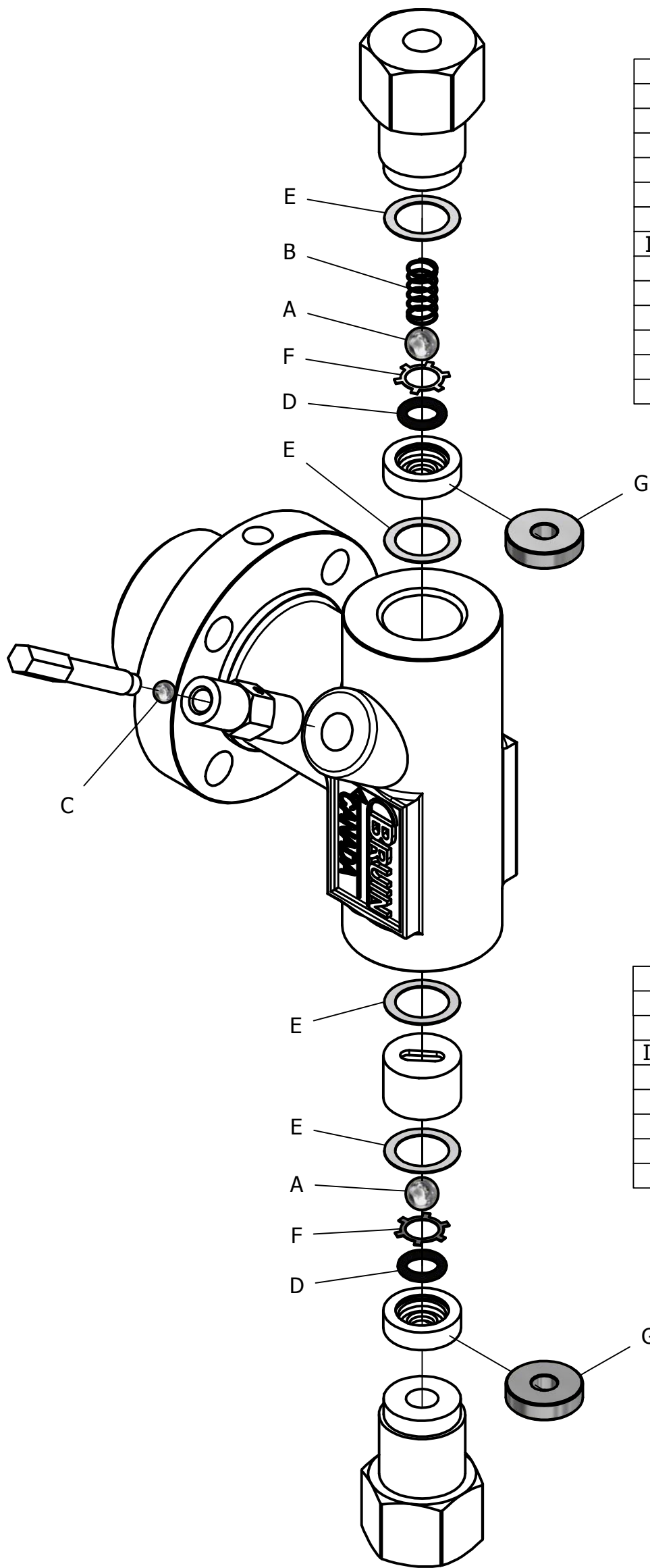


# Fluid End Repair Kit BA-5000FEK-1X, 1/4" & 3/8"



KIT STOCK NUMBER	O-RING MATERIAL
BA-5000FEK-1	Buna N
F	Fluorosilicone
K	Bruez
T	Teflon
V	Viton

KIT CONTENTS			
ITEM	QTY	TITLE	STOCK NUMBER
A	2	BALL BEARING 3/8"	BA-0054
B	1	BALL CHECK SPRING	BA-0077
C	1	BALL BEARING 1/4"	BA-0126
D	2	O-RING	BA-2097X
E	4	GASKET	BA-2350
F	2	TRUARC RING	BA-3523

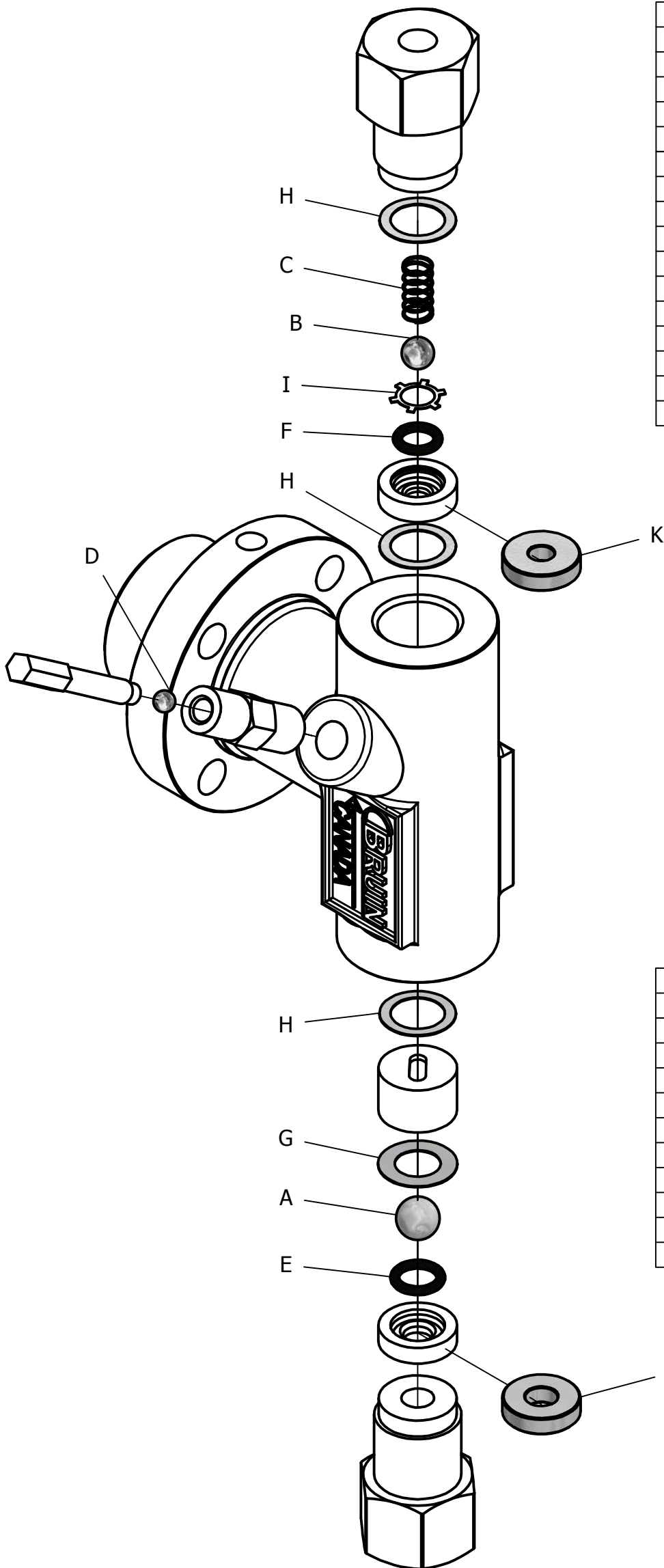
KIT STOCK NUMBER	SEAL MATERIAL
BA-5000FEK-1 M	Metal to Metal

KIT CONTENTS			
ITEM	QTY	TITLE	STOCK NUMBER
A	2	BALL BEARING 3/8"	BA-0054
B	1	BALL CHECK SPRING	BA-0077
C	1	BALL BEARING 1/4"	BA-0126
E	4	GASKET	BA-2350
G	2	SEAT - METAL TO METAL	BA-0157

## COMPATIBLE HEAD ASSEMBLIES

BR	MATERIAL	PLUNGER SIZE	
		1/4"	3/8"
5000	Ductile w/ SS Trim	BC-1609	BC-0085
	All Stainless Steel	BC-1611	BC-0148

# Fluid End Repair Kit BA-5000FEK-2X, 1/2" - 1 1/4"



KIT STOCK NUMBER	O-RING MATERIAL
BA-5000FEK-2	Buna N
F	Fluorosilicone
K	Bruez
T	Teflon
V	Viton

KIT CONTENTS			
ITEM	QTY	TITLE	STOCK NUMBER
A	1	BALL BEARING 1/2"	BA-0053
B	1	BALL BEARING 3/8"	BA-0054
C	1	BALL CHECK SPRING	BA-0077
D	1	BALL BEARING 1/4"	BA-0126
E	1	O-RING	BA-0612X
F	1	O-RING	BA-2097X
G	1	GASKET	BA-2338
H	3	GASKET	BA-2350
I	1	TRUARC RING	BA-3523

KIT STOCK NUMBER	SEAL MATERIAL
BA-5000FEK-2   M	Metal to Metal

KIT CONTENTS			
ITEM	QTY	TITLE	STOCK NUMBER
A	1	BALL BEARING 1/2"	BA-0053
B	1	BALL BEARING 3/8"	BA-0054
C	1	BALL CHECK SPRING	BA-0077
D	1	BALL BEARING 1/4"	BA-0126
G	1	GASKET	BA-2338
H	3	GASKET	BA-2350
J	1	SEAT - METAL TO METAL	BA-0051
K	1	SEAT - METAL TO METAL	BA-0157

## COMPATIBLE HEAD ASSEMBLIES

BR	MATERIAL	PLUNGER SIZE			
		1/2"	3/4"	1"	1 1/4"
5000	Ductile w/ SS Trim	BC-0068	BC-0335	BC-0019	BC-0048
	All Stainless Steel	BC-0139	BC-0337	BC-0137	BC-0134
1200, 3700, 4300	Ductile w/ SS Trim		BC-1888	BC-1886	
	All Stainless Steel		BC-1887	BC-1885	
2400	All Stainless Steel	BC-2162	BC-2146	BC-2147	BC-2148