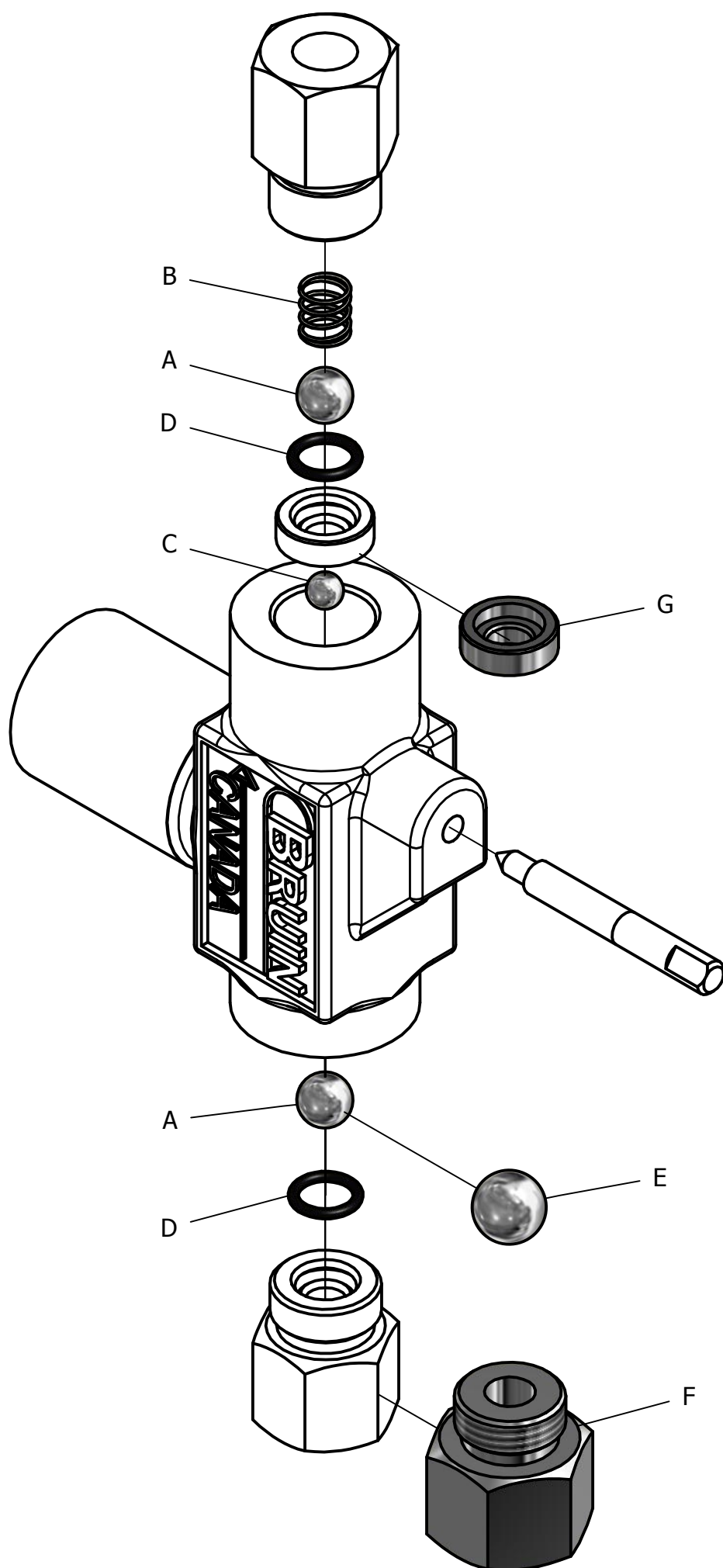


Fluid End Repair Kit BA-5100FEK-X



KIT STOCK NUMBER	O-RING MATERIAL
BA-5100FEK-	Buna N
	F Fluorosilicone
	K Bruez
	T Teflon
	V Viton

KIT CONTENTS			
ITEM	QTY	TITLE	STOCK NUMBER
A	2	BALL BEARING 3/8"	BA-0054
B	1	BALL CHECK SPRING	BA-0077
C	1	BALL BEARING 1/4"	BA-0126
D	2	O-RING	BA-0479X

KIT STOCK NUMBER	SEAL MATERIAL		
BA-5100FEK-M	Metal to Metal		
KIT CONTENTS			
ITEM	QTY	TITLE	STOCK NUMBER
A	1	BALL BEARING 3/8"	BA-0054
B	1	BALL CHECK SPRING	BA-0077
C	1	BALL BEARING 1/4"	BA-0126
E	1	BALL BEARING 1/2"	BA-0053
F	1	BOTTOM SEAT BUSHING	BA-0771
G	1	SEAT - METAL TO METAL	BA-0806

COMPATIBLE HEAD ASSEMBLIES

BR	MATERIAL	PLUNGER SIZE			
		3/16"	1/4"	3/8"	1/2"
5100	Ductile w/ SS Trim		BB-0166	BB-0203	BB-0496
	All Stainless Steel	BB-1472	BB-0755	BB-0756	BB-0732
1200, 3700, 4300	Ductile w/ SS Trim		BC-1578	BC-1579	BC-1580
	All Stainless Steel	BC-2041	BC-1582	BC-1583	BC-1584
X3	Ductile w/ SS Trim		BC-2137A	BC-2138A	BC-2139A
	All Stainless Steel	BC-2136	BC-2137	BC-2138	BC-2139