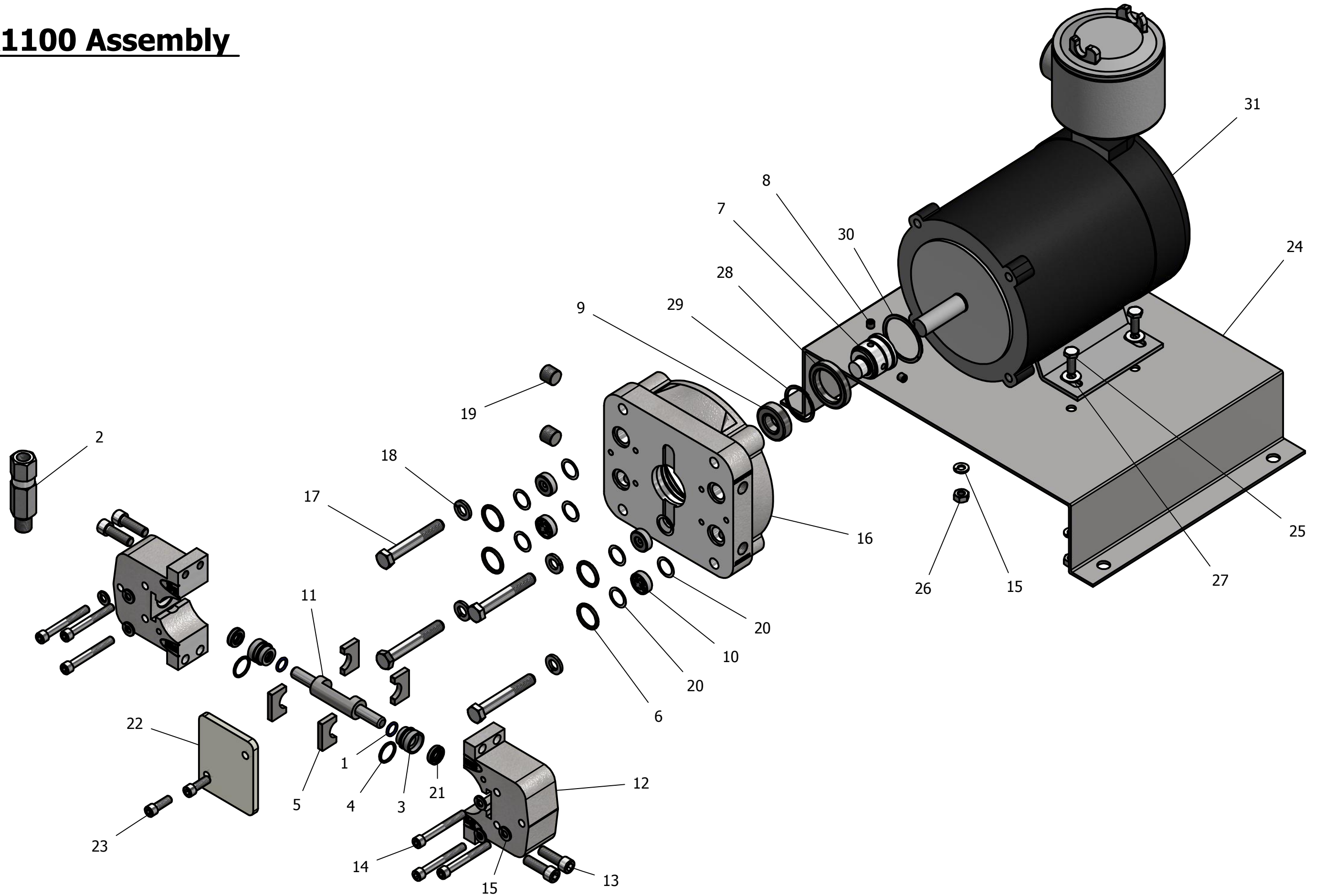


# BR1100 Assembly



## BR1100 ASSEMBLY

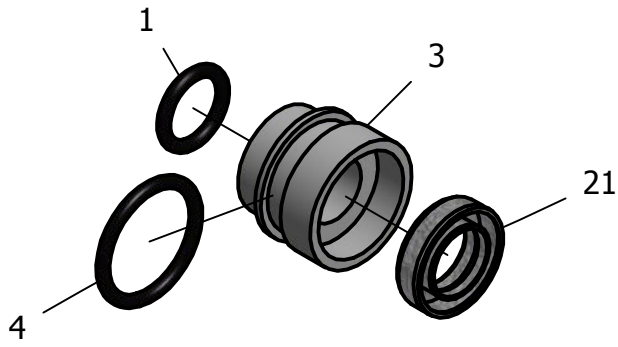
ITEM	QTY	TITLE	MATERIAL	STOCK NUMBER
1 r	2	O-RING	Buna N	BA-0479
°	2	O-RING	Viton	BA-0479V
°	2	O-RING	Fluorosilicone	BA-0479F
°	2	O-RING	Teflon	BA-0479T
°	2	O-RING	Bruez	BA-0479K
°	2	O-RING	Aflas	-0265A
2	1	LINE CHECK VALVE 1/4"	Stainless Steel	BA-0675
3 r	2	SEAL RETAINER	Delrin	BE-0113-01
4 r	2	SEAL RETAINER O-RING	Buna N	BE-0113-02B
°	2	SEAL RETAINER O-RING	Viton	BE-0113-02V
°	2	SEAL RETAINER O-RING	Fluorosilicone	BE-0113-02F
°	2	SEAL RETAINER O-RING	Teflon	BE-0113-02T
°	2	SEAL RETAINER O-RING	Aflas	BE-0113-02A
°	2	SEAL RETAINER O-RING	Bruez	BE-0113-02K
5	4	RETAINER	Stainless Steel	BE-0113-03
6 r	4	CHECK VALVE O-RING	Buna N	BE-0113-04B
°	4	CHECK VALVE O-RING	Viton	BE-0113-04V
°	4	CHECK VALVE O-RING	Fluorosilicone	BE-0113-04F
°	4	CHECK VALVE O-RING	Teflon	BE-0113-04T
°	4	CHECK VALVE O-RING	Aflas	BE-0113-04A
°	4	CHECK VALVE O-RING	Bruez	BE-0113-04K
7	1	ADAPTER	Stainless Steel	BE-0113-05A
8	2	SET SCREW	Stainless Steel	BE-0113-05B
9 r	1	CAM BEARING		BE-0113-05C
10 r	4	CHECK VALVE ASSEMBLY	Stainless Steel	BE-0113-07
11 r	1	PLUNGER ASSEMBLY	Carbide / Stainless Steel	BE-0113-09
12	2	BODY	Stainless Steel	BE-0113-10
13	4	SOCKET HEAD CAP SCREW	Stainless Steel	BE-0113-10A
14	6	SOCKET HEAD CAP SCREW	Stainless Steel	BE-0113-10B
15	10	SPRING LOCK WASHER	Stainless Steel	BE-0113-10C
16	1	MOUNT PLATE	Stainless Steel	BE-0113-11
17	4	HEX HEAD CAP SCREW	Stainless Steel	BE-0113-11A
18	4	SPRING LOCK WASHER	Stainless Steel	BE-0113-11B
19	2	1/4" NPT PLUG (for connected ports)	Stainless Steel	BE-0113-11C
°	2	1/8" NPT PLUG (for separated ports)	Stainless Steel	BE-0113-11D
20	8	GASKET	Teflon	BE-0113-14
21 r	2	HIGH PRESSURE SEAL		BE-0113-15
22 r	1	COVER	Clear Transparent	BE-0113-16
23	2	SOCKET HEAD CAP SCREW	Stainless Steel	BE-0113-16A
24	1	BASE	Steel Galvanized	BE-0113-17
25	4	HEX HEAD CAP SCREW	Stainless Steel	BE-0113-17A
26	4	HEX NUT	Stainless Steel	BE-0113-17B
27	4	FLAT WASHER	Stainless Steel	BE-0113-17C
28	1	BEARING		BE-0113-18
29	1	EXTERNAL RETAINING RING		BE-0113-18A
30	1	INTERNAL RETAINING RING		BE-0113-18B
31°	1	MOTOR (see Motor Table for options)		
		Cam Adaptor Assembly	includes items 7, 8, 9, 28, 29	BE-0113-05
°		Options		
r		Recommended Spare Parts		

## BR1100 Motor Options Table

## MOTOR OPTIONS

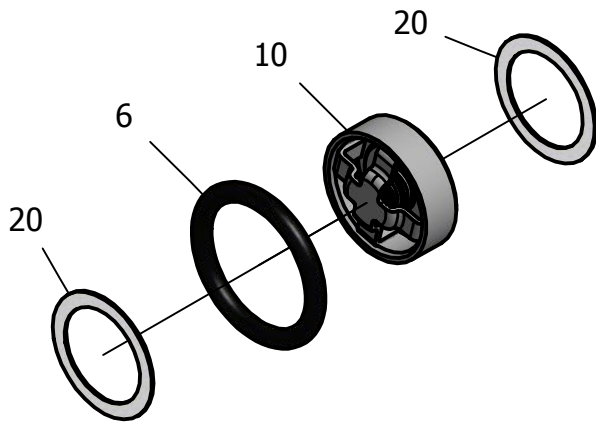
ITEM	SPECIFICATIONS	STOCK NUMBER
31	No Motor	
°	1/4 HP, 12VDC, TENV, 56C Frame	BA-2263
°	1/8 HP, 12VDC, 14A, Ex. Proof, 56C Frame	BE-0113-08A
°	1/4 HP, 1 Ph, 60 Hz, 115/230V, Ex. Proof, 56C Frame	BE-0113-08E
°	1/3 HP, 1 Ph, 60 Hz, 115/230V, Ex. Proof, 56C Frame	BE-0113-08E-0
°	1/4 HP, 3 Ph, 60 Hz, 230/460V, Ex. Proof, 56C Frame	BE-0113-08F
°	1/2 HP, 3 Ph, 60 Hz, 230/460V, Ex. Proof, 56C Frame	BE-0113-08F-1
°	1/3 HP, 3 Ph, 60 Hz, 230/460V, Inverter Motor, 1000:1, 56C Frame	BE-0113-08G

## BR1100 Plunger Seal Kit BE-0113AX



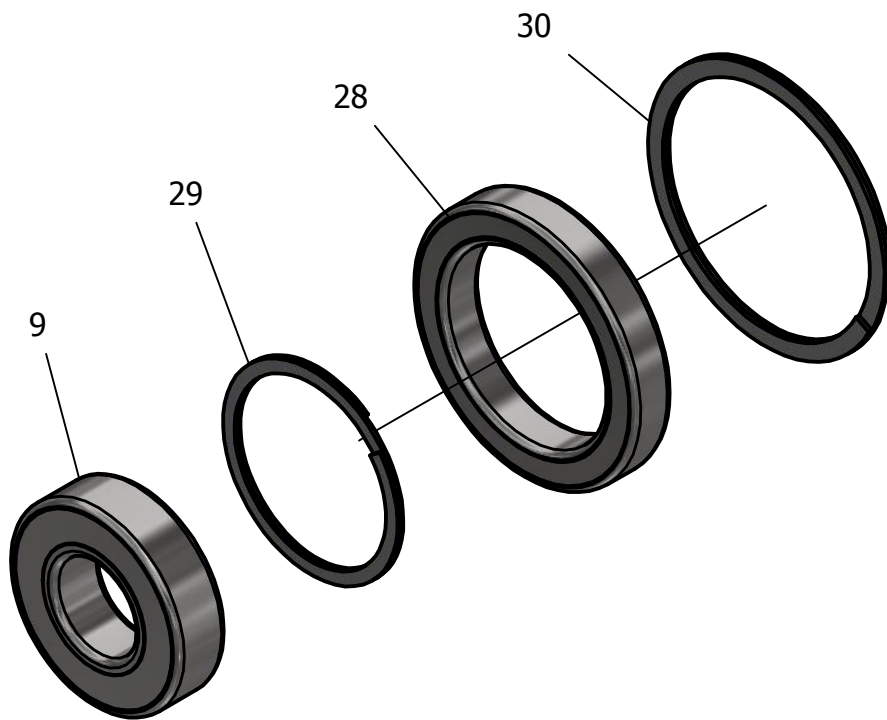
KIT STOCK NUMBER		O-RING MATERIAL	
BE-0113A	B	Buna N	
	F	Fluorosilicone	
	K	Bruez	
	T	Teflon	
	V	Viton	
KIT CONTENTS			
ITEM	QTY	TITLE	STOCK NUMBER
1	1	O-RING	BA-0479X
3	1	SEAL RETAINER	BE-0113-01
4	1	SEAL RETAINER O-RING	BE-0113-02X
21	1	HIGH PRESSURE SEAL	BE-0113-15

## BR1100 Check Valve Kit BE-0113BX



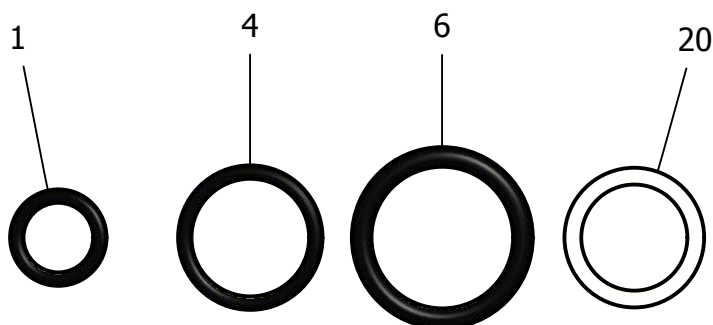
KIT STOCK NUMBER		O-RING MATERIAL	
BE-0113B	B	Buna N	
	F	Fluorosilicone	
	K	Bruez	
	T	Teflon	
	V	Viton	
KIT CONTENTS			
ITEM	QTY	TITLE	STOCK NUMBER
6	1	CHECK VALVE O-RING	BE-0113-04X
10	1	CHECK VALVE ASSEMBLY	BE-0113-07
20	2	GASKET	BE-0113-14

## BR1100 Bearing Kit BE-0113C



BE-0113C		KIT CONTENTS	
ITEM	QTY	TITLE	STOCK NUMBER
9	1	CAM BEARING	BE-0113-05C
28	1	BEARING	BE-0113-18
29	1	EXTERNAL RETAINING RING	BE-0113-18A
30	1	INTERNAL RETAINING RING	BE-0113-18B

## BR1100 Seal Kit BE-0113SX



KIT STOCK NUMBER		O-RING MATERIAL	
BE-0113S	B	Buna N	
	F	Fluorosilicone	
	K	Bruez	
	T	Teflon	
	V	Viton	
KIT CONTENTS			
ITEM	QTY	TITLE	STOCK NUMBER
1	2	O-RING	BA-479X
4	2	SEAL RETAINER O-RING	BE-0113-02X
6	4	CHECK VALVE O-RING	BE-0113-04X
20	8	GASKET	BE-0113-14