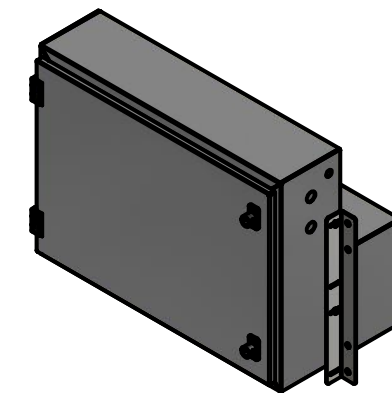
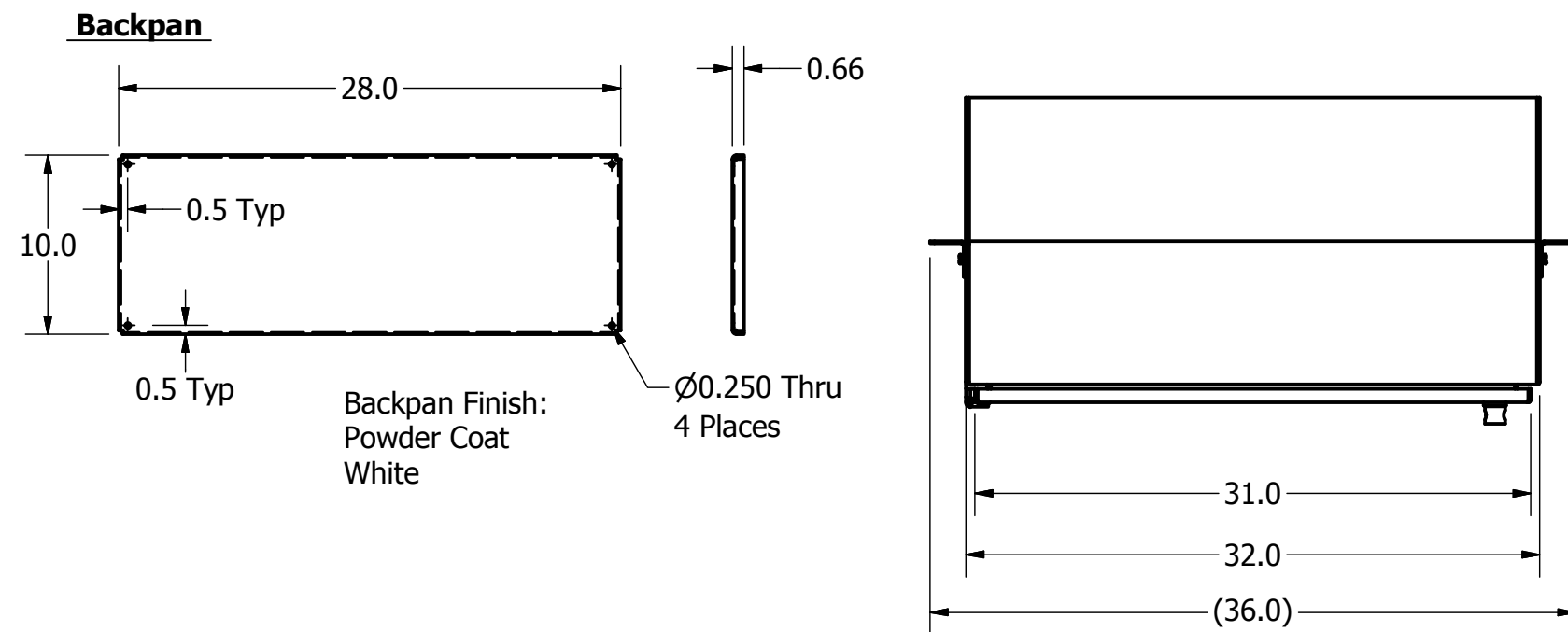


4 Battery Enclosure Dimensions (BE-0113-20E-4)



Notes:
Rating - NEMA 3R
All cutouts must be
sealed by client to
achieve this rating

