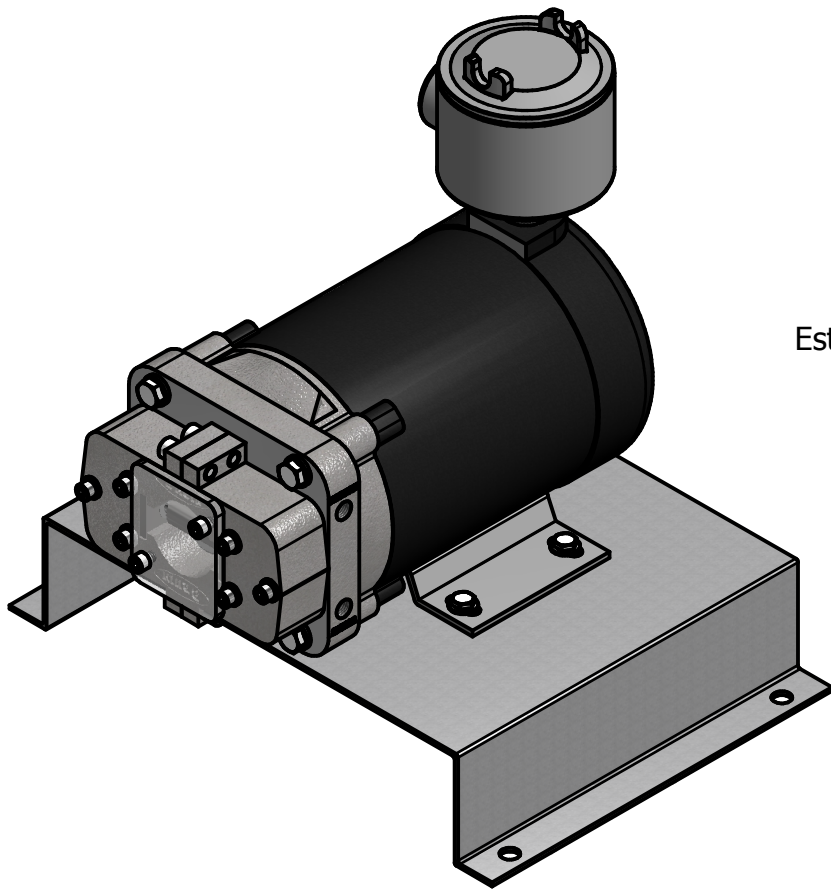


BR1100 Dimensions



Estimated Weight = 50 lbs

Note: 4 Mounting holes sized for 3/8" bolts.

