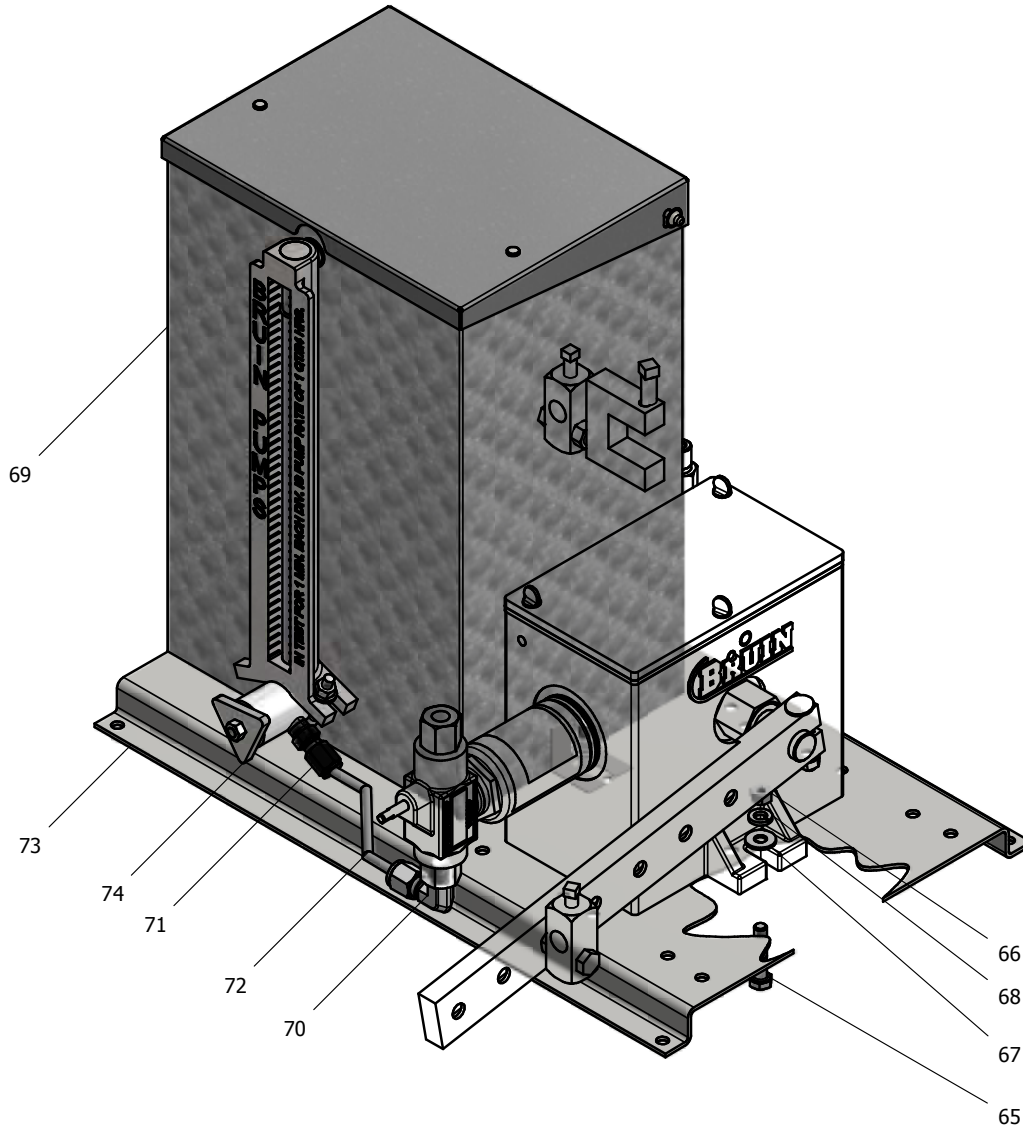


BR1200 - Tank, Gauge & Base Option



TANK, GAUGE & BASE OPTION

| ITEM | QTY | TITLE | MATERIAL | STOCK NUMBER |
|------|-----|-------------------------|---------------------|--------------|
| 65 | 2 | HEX HEAD CAP SCREW | Carbon Steel Plated | BA-0142 |
| 66 | 2 | HEX NUT 5/16-18 | Carbon Steel Plated | BA-0144 |
| 67 | 2 | FLAT WASHER | Carbon Steel Plated | BA-0167 |
| 68 | 2 | SPLIT LOCK WASHER | Carbon Steel Plated | BA-0425 |
| 69 | 1 | RESERVOIR 5 GALLON | N/A | BA-0664 |
| 70* | 1 | MALE ELBOW | Polypropylene | BA-3116 |
| ◦ | 1 | MALE ELBOW | Carbon Steel Plated | BA-4016 |
| 71* | 1 | MALE CONNECTOR | Polypropylene | BA-3118 |
| ◦ | 1 | MALE CONNECTOR | Steel | BA-5100-11 |
| 72* | 1 | TUBING | Polypropylene | BA-3162 |
| ◦ | 1 | TUBING | Stainless Steel | BA-3163 |
| 73 | 1 | BASE | Galvanized Steel | BB-0437 |
| 74 | 1 | TANK GAUGE | N/A | BB-0871 |
| * | | POLYPROPYLENE OPTION | | |
| ◦ | | STAINLESS STEEL OPTION | | |
| r | | Recommended Spare Parts | | |
| | | | Gauge Repair Kit | BB-0874 |