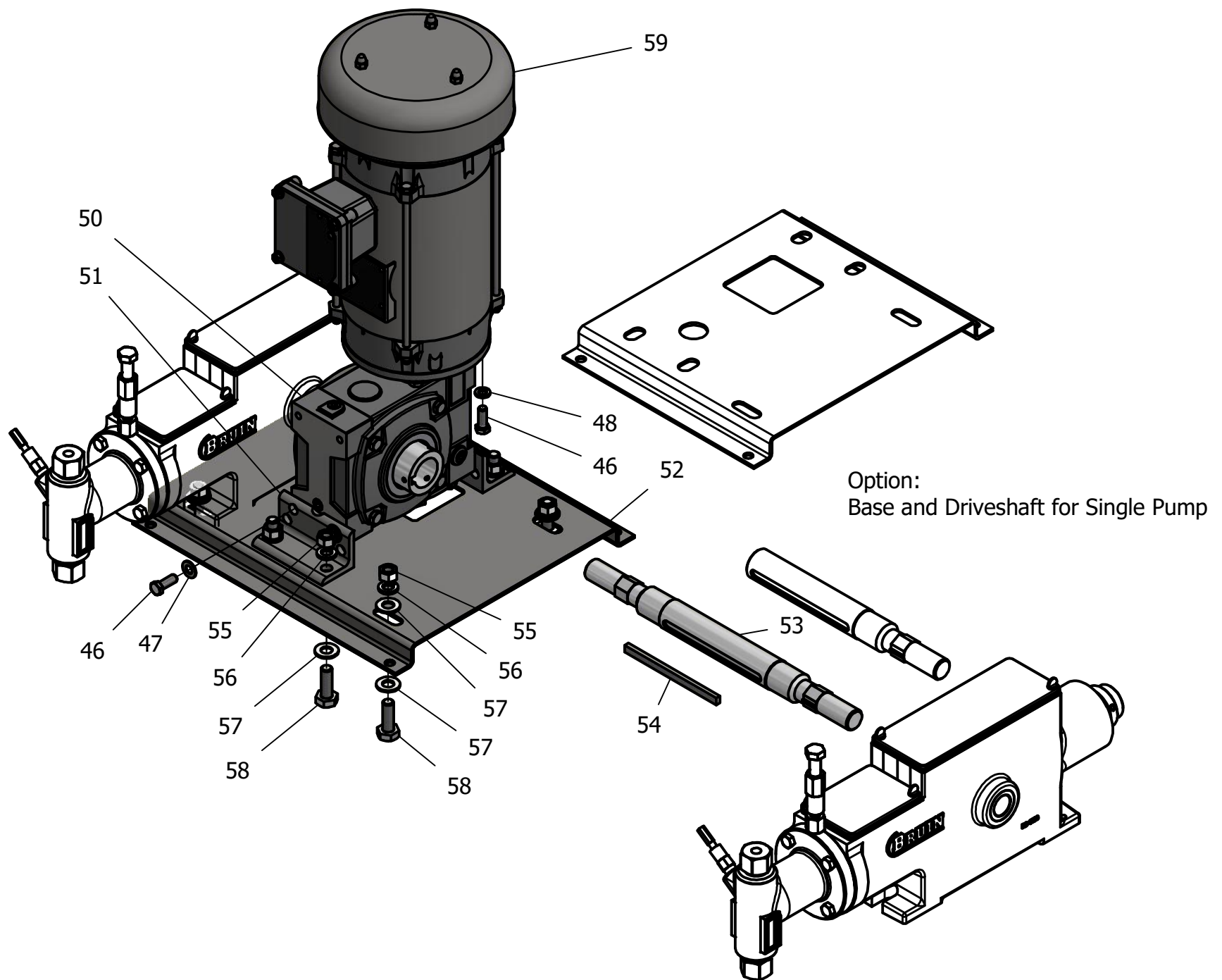


BR2400 Pump & Motor



BR2400

ITEM	QTY	TITLE	MATERIAL	STOCK NUMBER
46	8	HEX HEAD CAP SCREW	Carbon Steel	BA-0139A
47	4	FLAT WASHER	Steel Plated	BA-0458
48	4	SPLIT LOCK WASHER	Steel Plated	BA-0459
50	1	REDUCER - 60:1 (30 SPM)	N/A	BB-1648
°	1	REDUCER - 30:1 (60 SPM)	N/A	BB-1649
51	2	REDUCER MOUNT	Carbon Steel	BB-1648A
52	1	BASE - DOUBLE	Galvanized Steel	BC-2165
°	1	BASE - SINGLE	Galvanized Steel	BC-2163
53	1	DRIVE SHAFT - DOUBLE	Alloy Steel	BC-2172H
°	1	DRIVE SHAFT - SINGLE	Alloy Steel	BC-2173H
54	1	DRIVE SHAFT KEY	Steel Plated	BC-2172A
55*	6 / 8	HEX NUT	Steel Zinc Plated	BE-0113-24-05
56*	6 / 8	SPLIT LOCK WASHER	Steel Zinc Plated	BE-0113-24-06
57*	8 / 12	FLAT WASHER	Steel Zinc Plated	BE-0113-24-07
58*	6 / 8	HEX HEAD CAP SCREW	Steel	BE-0113-24-8A
°		Options		
*		Quantity for Single Pump/Double Pump		

BR2400 Motor Options Table

MOTOR OPTIONS SPECIFICATIONS			STOCK NUMBER
59	No Motor		
°	1 HP, 1 Ph, 60 Hz, 115-230V, XP, 56C-FLG w/o mounting feet		BA-5289
°	1 HP, 3 Ph, 60 Hz, 208-230/460V, XP, 56C-FLG w/o mounting feet		BA-6495
°	1 HP, 1 Ph, 60 Hz, 115-230V, TEFC, 56C-FLG w/o mounting feet		
°	1 HP, 3 Ph, 60 Hz, 208-230/460V, TEFC, 56C-FLG w/o mounting feet		BA-6296