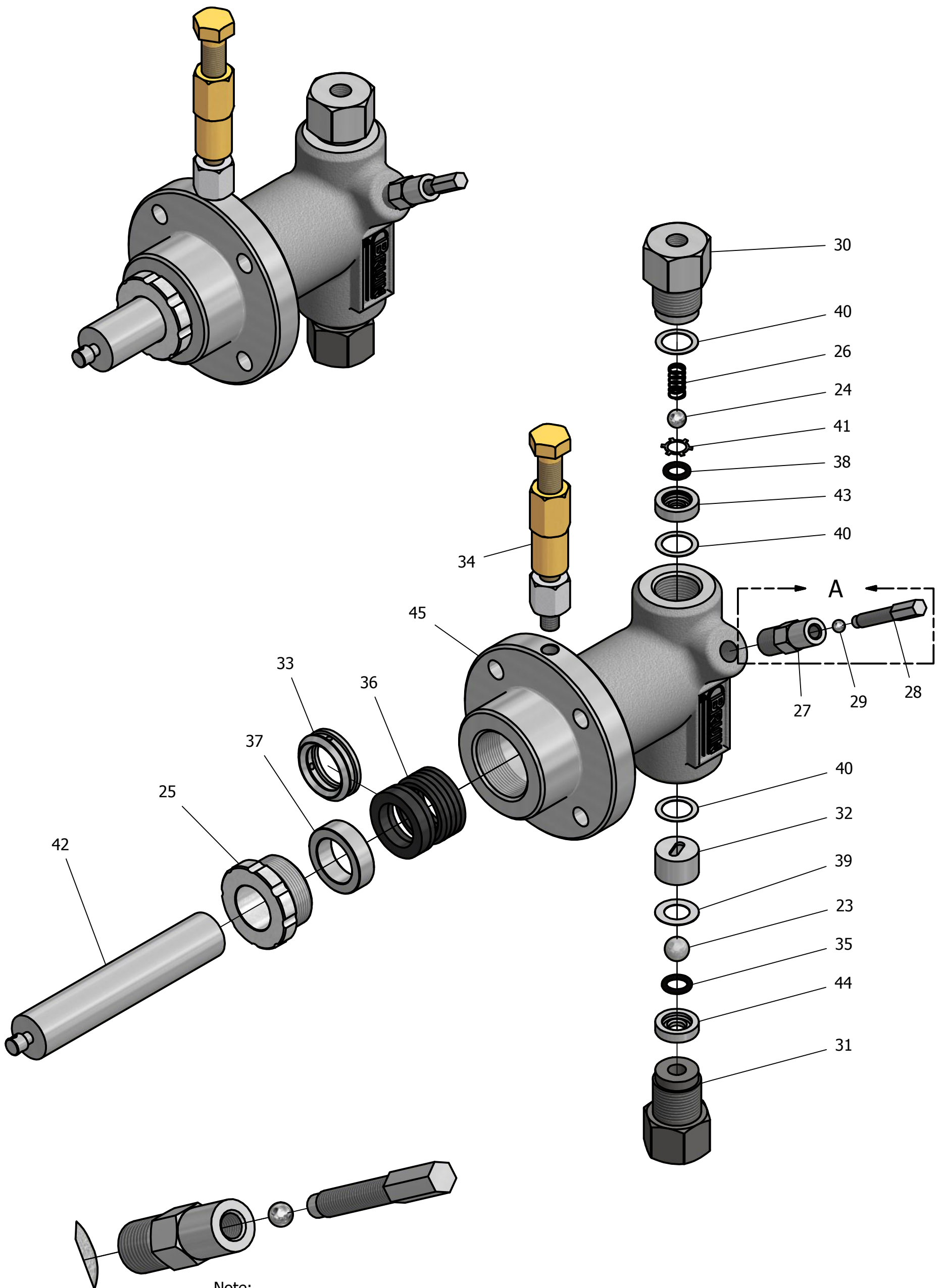
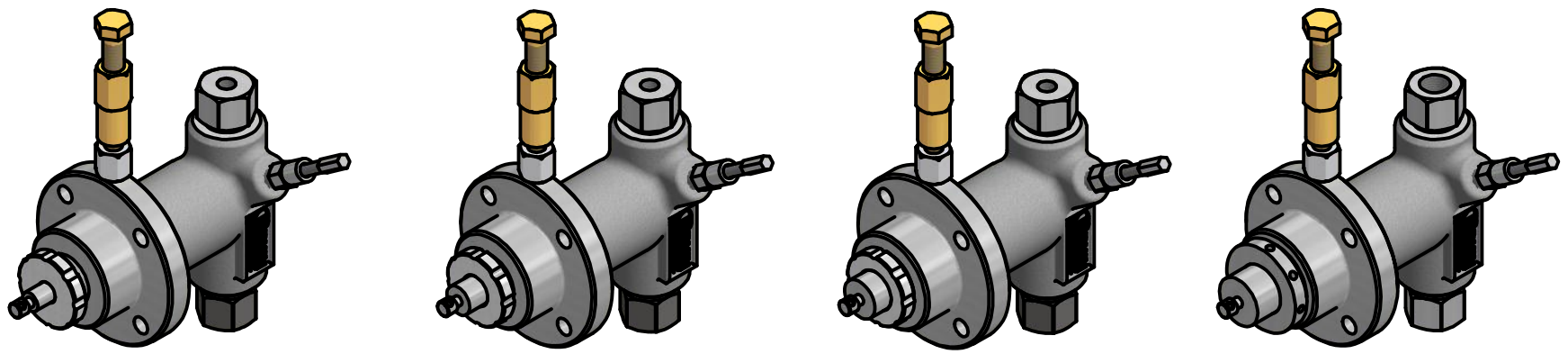


BR2400 - Head Options 1/2", 3/4", 1" & 1 1/4"



Note:
Item 27, 28 & 29 can be
ordered as one part BA-0123, Priming Valve

BR2400 - Head Options 1/2", 3/4", 1" & 1 1/4"



PLUNGER & PACKING SIZE				1/2"	3/4"	1"	1 1/4"
ITEM	QTY	TITLE	MATERIAL	STOCK NUMBER	STOCK NUMBER	STOCK NUMBER	STOCK NUMBER
		HEAD ASSEMBLY	All Stainless Steel	BC-2162	BC-2146	BC-2147	BC-2148
23 r	1	BALL BEARING 1/2"	Stainless Steel	BA-0053	BA-0053	BA-0053	BA-0053
24 r	1	BALL BEARING 3/8"	Stainless Steel	BA-0054	BA-0054	BA-0054	BA-0054
25	1	PACKING GLAND NUT	Alloy Steel Plated	BA-0055	BA-2768	BA-0047	BA-6451
26	1	BALL CHECK SPRING	Stainless Steel	BA-0077	BA-0077	BA-0077	BA-0077
27	1	PRIMING VALVE BODY	Stainless Steel	BA-0123A	BA-0123A	BA-0123A	BA-0123A
28	1	PRIMING VALVE STEM	Stainless Steel	BA-0123B	BA-0123B	BA-0123B	BA-0123B
29 r	1	BALL BEARING 1/4"	Stainless Steel	BA-0126	BA-0126	BA-0126	BA-0126
30	1	TOP BUSHING	Stainless Steel	BA-0152	BA-0152	BA-0152	BA-2456
31	1	BOTTOM BUSHING	Stainless Steel	BA-0153	BA-0153	BA-0153	BA-2455
32 r	1	BALL CAGE	Stainless Steel	BA-0444	BA-0444	BA-0444	BA-0444
33	1	LANTERN RING	Stainless Steel	BA-0447	BA-2770	BA-0448	BA-0449
34	1	GREASE JACK	Brass	BA-0558	BA-0558	BA-0558	BA-0558
r	1	LUBE STICK FOR GREASE JACK	N/A	BA-3179-1	BA-3179-1	BA-3179-1	BA-3179-1
o		LUBE STICK (BOX OF 72)	N/A	BA-3179-2	BA-3179-2	BA-3179-2	BA-3179-2
35 r	1	O-RING	Buna N	BA-0612	BA-0612	BA-0612	BA-0612
o	1	O-RING	Viton	BA-0612V	BA-0612V	BA-0612V	BA-0612V
o	1	O-RING	Teflon	BA-0612T	BA-0612T	BA-0612T	BA-0612T
o	1	O-RING	Fluorosilicone	BA-0612F	BA-0612F	BA-0612F	BA-0612F
o	1	O-RING	Bruez	BA-0612K	BA-0612K	BA-0612K	BA-0612K
o	1	O-RING	HSN	BA-0612H	BA-0612H	BA-0612H	BA-0612H
36 r	1	PACKING - BUNA	Buna N	BA-0959	BA-2771	BA-0050	BA-0405
o	1	PACKING - BUNA H	Buna Hard	BA-1874	BA-2772	BA-4135	BA-4133
o	1	PACKING - VITON	Viton	BA-4103	BA-4657	BA-4658	BA-4480
o	1	PACKING - TEFLON	Teflon	BA-1012	BA-2988	BA-1013	BA-1014
o	1	PACKING - FLUOROSILICONE	Fluorosilicone	BA-6259	BA-6260	BA-6261	BA-6262
o	1	PACKING - BUNA / TEFLON	Buna / Teflon	BA-0959T	BA-2771T	BA-0050T	BA-0405T
o	1	PACKING - VITON / TEFLON	Viton / Teflon	BA-4103T	BA-4657T	BA-4658T	BA-4480T
o	1	PACKING - BRUEZ	Bruez	BA-4103E	BA-4657E	BA-4658E	BA-4480E
37	1	PLUNGER PACKING GLAND	Stainless Steel	BA-1219	BA-2769	BA-0043	BA-6450
38 r	1	O-RING	Buna N	BA-2097	BA-2097	BA-2097	BA-2097
o	1	O-RING	Viton	BA-2097V	BA-2097V	BA-2097V	BA-2097V
o	1	O-RING	Teflon	BA-2097T	BA-2097T	BA-2097T	BA-2097T
o	1	O-RING	Fluorosilicone	BA-2097F	BA-2097F	BA-2097F	BA-2097F
o	1	O-RING	Bruez	BA-2097K	BA-2097K	BA-2097K	BA-2097K
o	1	O-RING	HSN	BA-2097H	BA-2097H	BA-2097H	BA-2097H
39 r	1	GASKET	Stainless Steel	BA-2338	BA-2338	BA-2338	BA-2338
40 r	3	GASKET	Stainless Steel	BA-2350	BA-2350	BA-2350	BA-2350
41 r	1	TRUARC RING	Carbon Steel	BA-3523	BA-3523	BA-3523	BA-3523
42 r	1	PLUNGER	Stainless Steel	BA-6499	BA-6459	BA-6460	BA-6461
43 r	1	CHECK VALVE SEAT	Stainless Steel	BB-0368A	BB-0368A	BB-0368A	BB-0368A
44 r	1	BOTTOM CHECK VALVE SEAT	Stainless Steel	BB-0698	BB-0698	BB-0698	BB-0698
45	1	HEAD BODY	Stainless Steel	BC-2158	BC-2142	BC-2143	BC-2145
o		Options					
r		Recommended Spare Parts					

Ceramic Ball Bearing Option

Replace 1/4" Ball (BA-0126) with 1/4" Ball (BA-0126CR)
 Replace 3/8" Ball (BA-0054) with 3/8" Ball (BA-0054CR)
 Replace 1/2" Ball (BA-0053) with 1/2" Ball (BA-0053CR)

Metal to Metal Option

Replace Check Valve Seat (BB-0368A) with Top Seat (BA-0157)
 Replace Check Valve Seat (BB-0698) with Bottom Seat (BA-0051)
 Remove O-ring Seals (item 33 & 36)