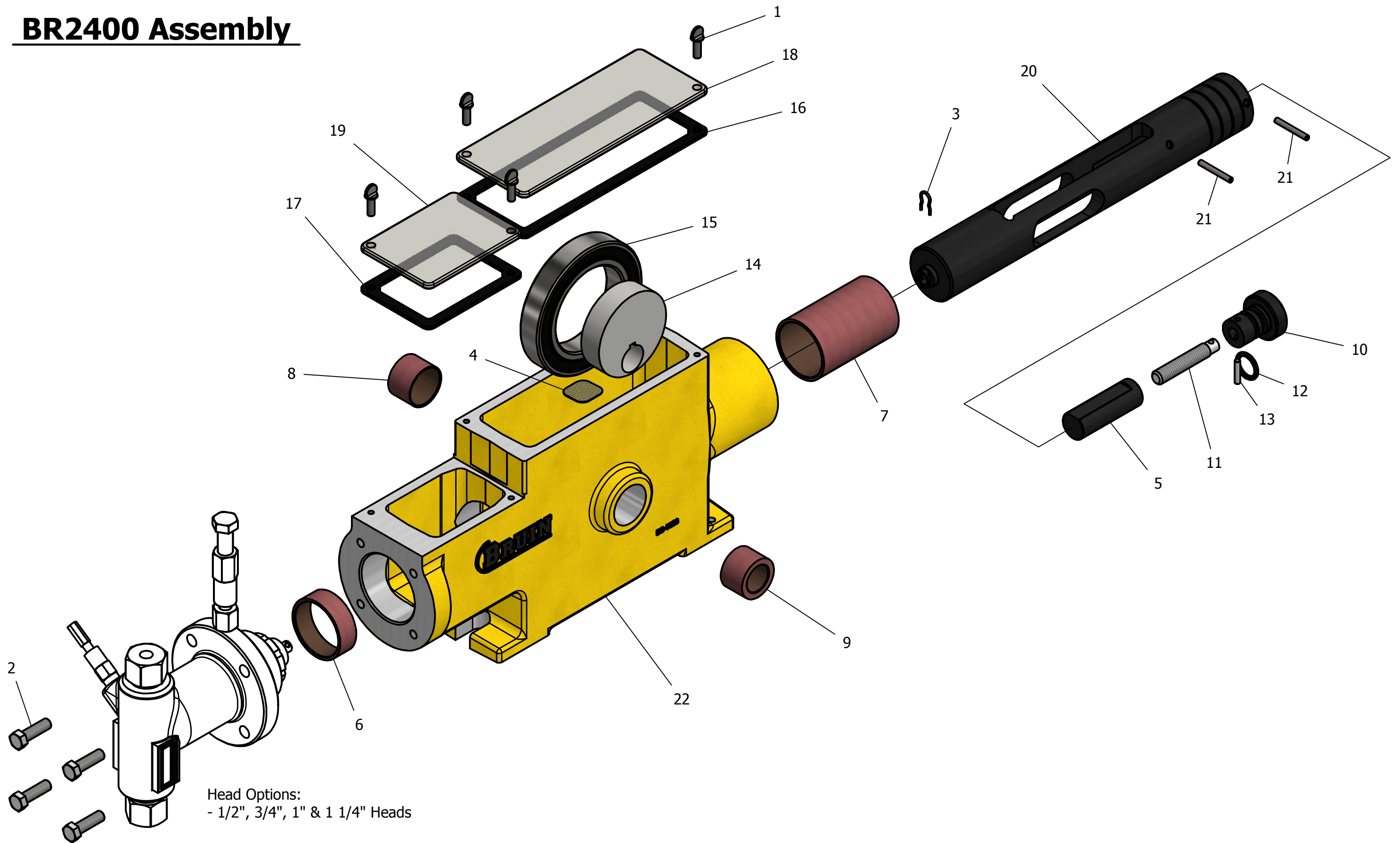


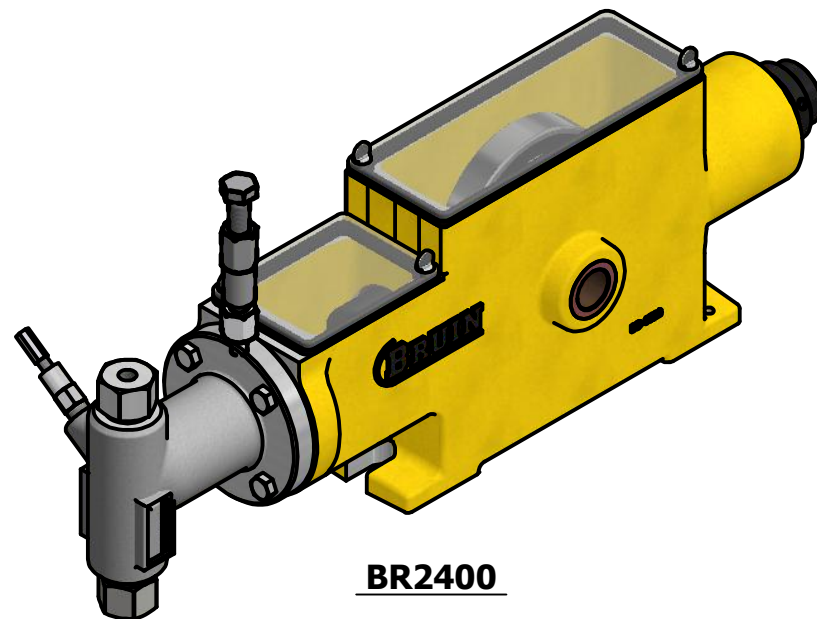
BR2400 Assembly



Head Options:
- 1/2", 3/4", 1" & 1 1/4" Heads

BR2400 ASSEMBLY

ITEM	QTY	TITLE	MATERIAL	STOCK NUMBER
1	4	WING SCREW	Carbon Steel Plated	BA-0136
2	4	HEX HEAD CAP SCREW	Stainless Steel	BA-4452
3 r	1	DRIVE CLIP	Stainless Steel	BA-5953
4	1	SCREEN	Stainless Steel	BA-5966
5	1	STROKE ADJUSTOR	Stainless Steel Nitrided	BA-6471
6	1	CROSSHEAD BEARING SHORT	Fiber-Lube FCJ	BA-6473
7	1	CROSSHEAD BEARING LONG	Fiber-Lube FCJ	BA-6474
8	1	SHAFT BEARING LARGE	Fiber-Lube FCJ	BA-6475
9	1	SHAFT BEARING SMALL	Fiber-Lube FCJ	BA-6476
		ADJUSTING SCREW ASSEMBLY	Contains parts BA-6477A, BA-6477B, BA-6477C, BA-6477D	BA-6477
10	1	ADJUSTING SCREW KNOB	Stainless Steel Nitrided	BA-6477A
11	1	ADJUSTING SCREW	Stainless Steel	BA-6477B
12 r	1	ADJUSTING SCREW O-RING	Buna N	BA-6477C
13	1	ADJUSTING SCREW PIN	Stainless Steel	BA-6477D
		ECCENTRIC CAM ASSEMBLY	Contains parts BB-1646A, BB-1646B	BB-1646
14	1	ECCENTRIC CAM	Carbon Steel	BB-1646A
15 r	1	CAM BEARING	Carbon Steel	BB-1646B
16	1	COVER GASKET LARGE	Buna N	BB-1647A
17	1	COVER GASKET SMALL	Buna N	BB-1647B
18	1	COVER LARGE	Polycarbonate Clear	BC-2150A
19	1	COVER SMALL	Polycarbonate Clear	BC-2150B
20	1	CROSSHEAD	Stainless Steel Nitrided	BC-2152
21	2	CROSSHEAD PIN	Stainless Steel	BC-2152A
22	1	HOUSING	Cast Iron	BD-0528
r		Recommended Spare Parts		

**BR2400**