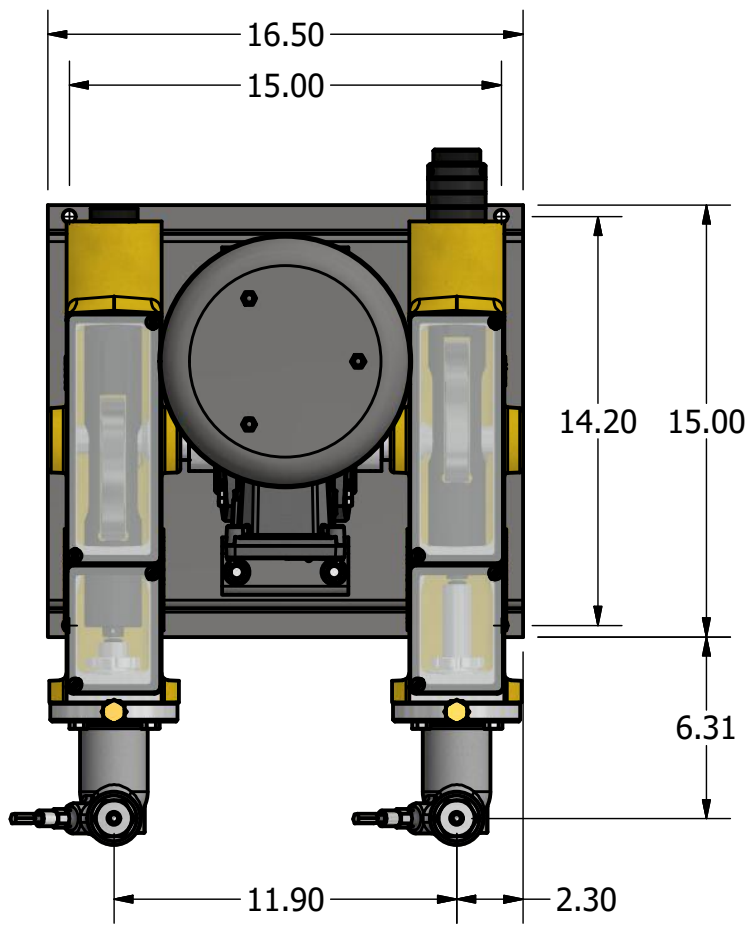
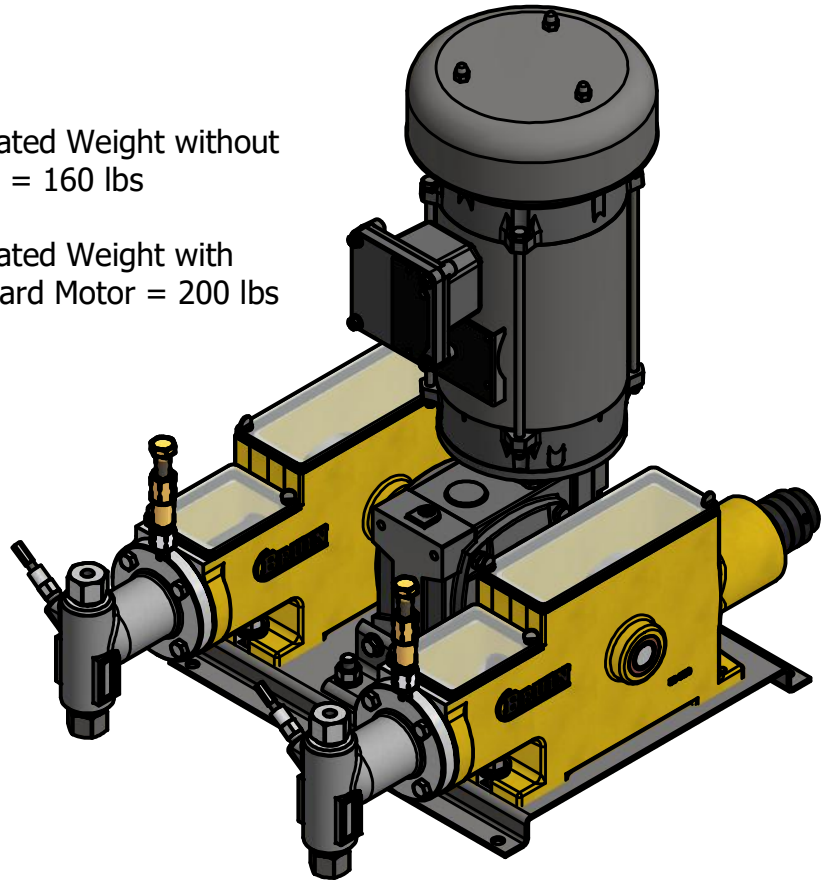


BR2400 Double Pump w/ Motor

Estimated Weight without Motor = 160 lbs

Estimated Weight with Standard Motor = 200 lbs



Note: 4 Mounting holes sized for 5/16" bolts

