

BR4300 Assembly

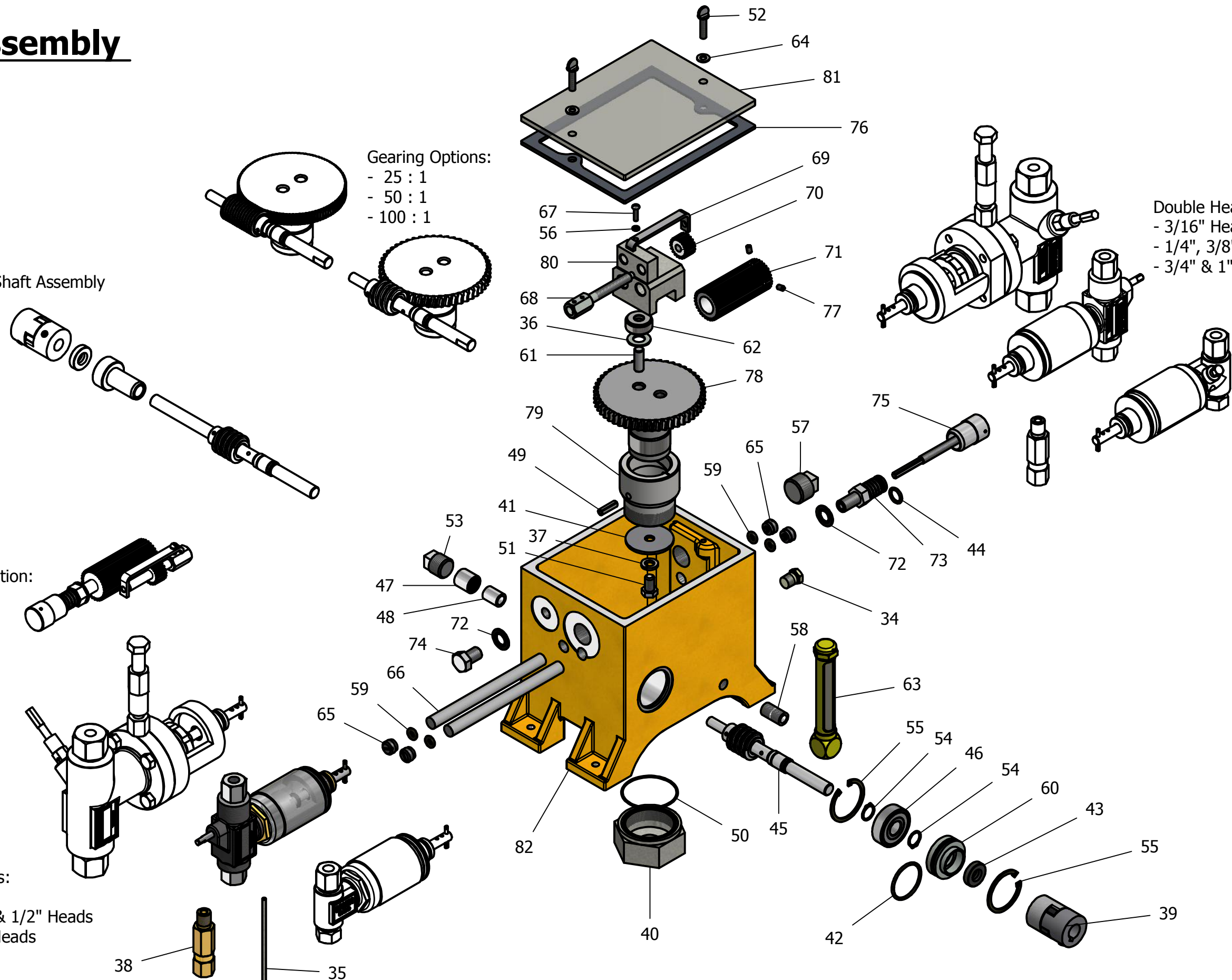
Option:
Extended Worm & Shaft Assembly

Gearing Options:
- 25 : 1
- 50 : 1
- 100 : 1

Double Head Options:
- 3/16" Head
- 1/4", 3/8" & 1/2" Heads
- 3/4" & 1" Heads

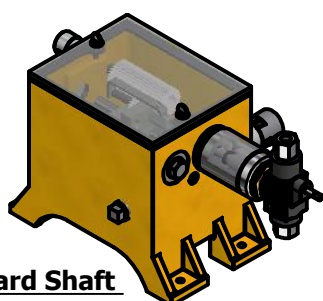
Double Head Option:
Plunger Stroke
Adjustment Set

Head Options:
- 3/16" Head
- 1/4", 3/8" & 1/2" Heads
- 3/4" & 1" Heads

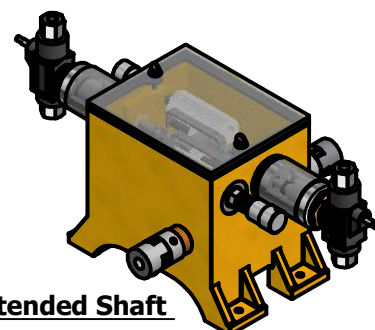


BR4300 ASSEMBLY

ITEM	QTY	TITLE	MATERIAL	STOCK NUMBER
34	1	PIPE PLUG	Steel	BA-0138
35	1	GLAND WRENCH	Carbon Steel	BA-0315
36	1	FLAT WASHER	Carbon Steel Plated	BA-0458
37	1	SPLIT LOCK WASHER	Carbon Steel Plated	BA-0459
38	1	CHECK VALVE 1/4"	Brass	BA-0676
°	1	CHECK VALVE 1/4"	Stainless Steel	BA-0675
39	1	COUPLING ASSEMBLY 5/8"	Steel	BA-1653
40	1	CAP	Carbon Steel	BA-1921
41	1	BOTTOM THRUST WASHER	Carbon Steel	BA-1930
42 r	1	O-RING	Buna N	BA-1961
43 r	1	SEAL	Buna N	BA-2064
44 r	1	O-RING	Buna N	BA-2116
45°r	1	WORM & SHAFT ASSEMBLY - 25:1	Alloy Steel	BA-1871
45°r	1	WORM & SHAFT ASSEMBLY - 50:1	Alloy Steel	BA-2250
45°r	1	WORM & SHAFT ASSEMBLY - 100:1	Alloy Steel	BA-1755
46 r	1	BEARING	Steel	BA-2285
47sr	1	NEEDLE BEARING	Steel	BA-2286
48sr	1	INNER RACE	Steel	BA-2287
49	1	SLOTTED SPRING TENSION PIN	Carbon Steel	BA-2337
50 r	1	O-RING	Buna N	BA-2457
51	1	HEX HEAD CAP SCREW	Carbon Steel	BA-2501
52	2	WING SCREW	Carbon Steel	BA-2970
53 s	1	PIPE PLUG	Carbon Steel	BA-3309
54 r	2	EXTERNAL SNAP RING	Steel Oil Dipped	BA-3310
55	2	INTERNAL SNAP RING	Steel Oil Dipped	BA-3311
56	1	SPLIT LOCK WASHER	Carbon Steel Plated	BA-3312
57*	1	PIPE PLUG	Cast Iron Plated	BA-3319
58	1	NIPPLE	Brass	BA-3325
59 r	4	O - RING	Buna N	BA-3849
60	1	CARTRIDGE SEAL	Carbon Steel Plated	BA-4045
61 r	1	BEARING STUD	Alloy Steel Case Hardened	BA-4064
62 r	1	CROSSHEAD BEARING	Steel	BA-4065
63	1	OIL LEVEL	Brass with Glass Window	BA-4066
64	2	FLAT WASHER SEAL	Buna N	BA-4092
65	4	GUIDE ROD RETAINER	Carbon Steel	BA-4228
66	2	CROSSHEAD GUIDE ROD	Alloy Steel	BA-4229
67	1	SLOTTED MACHINE SCREW - ROUND	Carbon Steel Plated	BA-4753
68	1	STROKE ADJUSTMENT BOLT	Carbon Steel	BA-4755
69	1	STROKE ADJUSTMENT GUIDE BAR	Stainless Steel	BA-4756
70	1	STROKE ADJUSTMENT GEAR	Delrin, White	BA-4757
71	1	STROKE ADJUSTMENT DRIVE GEAR	Delrin, White	BA-4758
72 r	2	GASKET	Buna N	BA-4759
73	1	STROKE ADJUSTMENT SPINDLE	Stainless Steel	BA-4761
74*	1	HEX HEAD CAP SCREW	Carbon Steel	BA-4795
75	1	STROKE ADJUSTMENT KNOB & SCREW ASSEMBLY	Steel	BA-4805
76	1	COVER GASKET	Buna N	BA-4814
77	2	SET SCREW	Steel	BA-4894
78°r	1	WORM GEAR - 25:1	Cast Iron	BB-0621
78°r	1	WORM GEAR - 50:1	Cast Iron	BB-0616
78°r	1	WORM GEAR - 100:1	Cast Iron	BB-0623
79 r	1	LOWER BEARING	Ductile Iron	BB-0619
80	1	CROSSHEAD	Carbon Steel	BB-1333
81	1	COVER	Polycarbonate Clear	BC-1576A
82	1	HOUSING 4300	Cast Iron	BD-0492
r		Recommended Spare Parts		
°		Options		
s		Standard Worm Shaft Only		
*		Single Head Only		

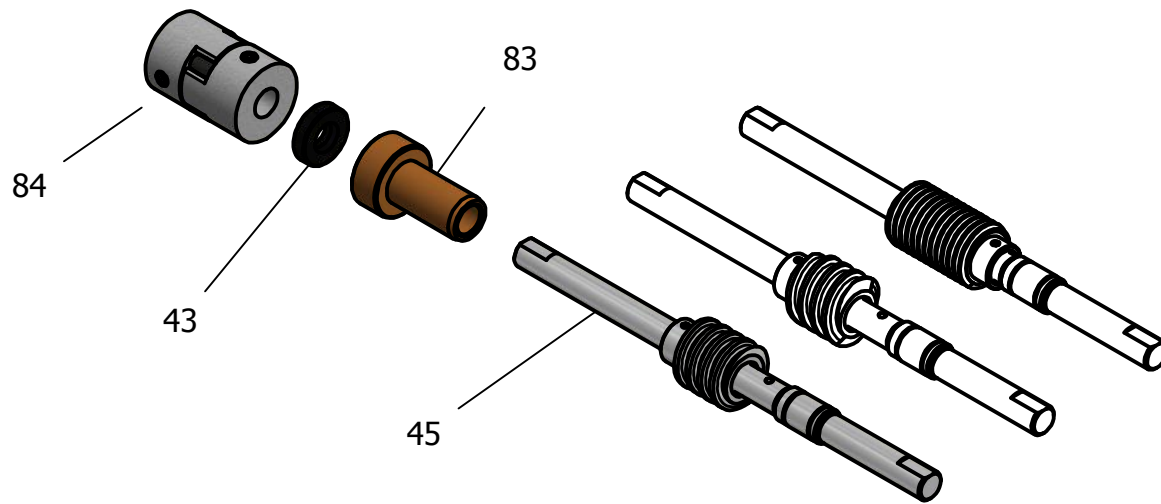


BR4300 Single Head Standard Shaft



BR4300 Double Head Extended Shaft

BR4300 Extended Worm Shaft Option



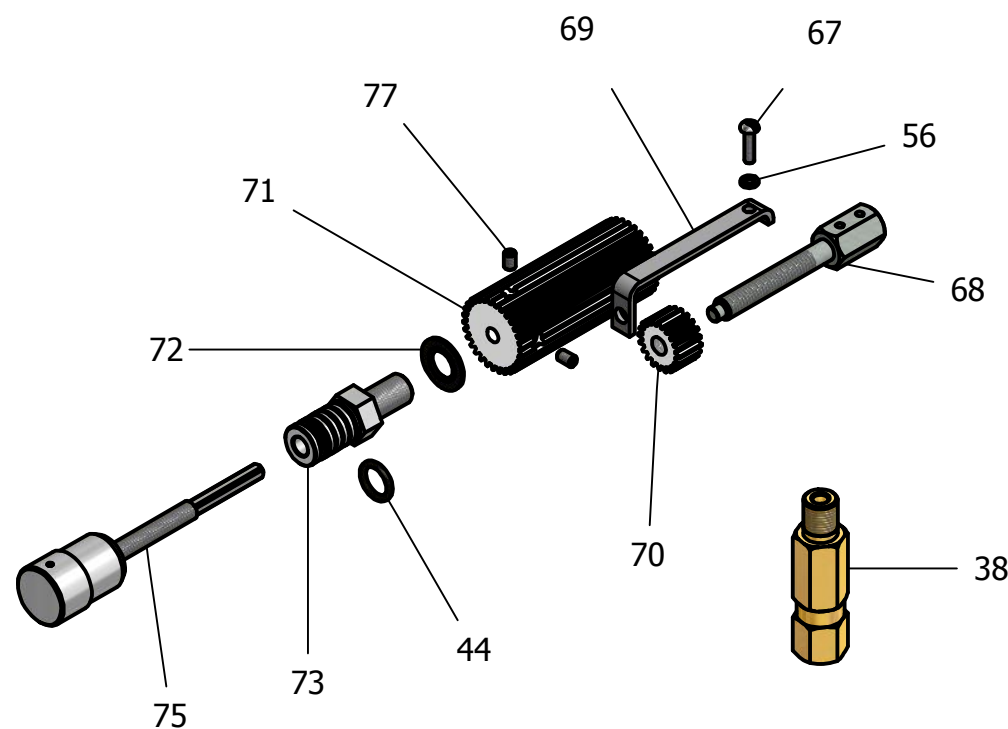
BR4300 EXTENDED WORM SHAFT OPTION

ITEM	QTY	TITLE	MATERIAL	STOCK NUMBER
43 r	1	SEAL	Buna N	BA-2064
45 ^o r	1	EXTENDED WORM & SHAFT ASSEMBLY - 25:1	Carbon Steel	BB-0270
45 ^o r	1	EXTENDED WORM & SHAFT ASSEMBLY - 50:1	Carbon Steel	BB-0469
45 ^o r	1	EXTENDED WORM & SHAFT ASSEMBLY - 100:1	Carbon Steel	BB-0452
83	1	BEARING	Bronze	BA-2036
84	1	COUPLING ASSEMBLY	Steel	BA-1836

Note: If converting from a standard worm shaft model, parts 47, 48, and 53 must be replaced with part 83.

BR4300 Double Head Stroke Adjustment Assembly

Note: Item 72 is removed from item 74 on single head model



BR4300 DOUBLE HEAD STROKE ADJUSTMENT ASSEMBLY

ITEM	QTY	TITLE	MATERIAL	STOCK NUMBER
38	1	CHECK VALVE 1/4"	Brass	BA-0676
°	1	CHECK VALVE 1/4"	Stainless Steel	BA-0675
44 r	1	O-RING	Buna N	BA-2116
56	1	SPLIT LOCK WASHER	Carbon Steel Plated	BA-3312
67	1	SLOTTED MACHINE SCREW - ROUND	Carbon Steel Plated	BA-4753
68	1	STROKE ADJUSTMENT BOLT	Carbon Steel	BA-4755
69	1	STROKE ADJUSTMENT GUIDE BAR	Stainless Steel	BA-4756
70	1	STROKE ADJUSTMENT GEAR	Delrin, White	BA-4757
71	1	STROKE ADJUSTMENT DRIVE GEAR	Delrin, White	BA-4758
72 r	1	GASKET	Buna N	BA-4759
73	1	STROKE ADJUSTMENT SPINDLE	Stainless Steel	BA-4761
75	1	STROKE ADJUSTMENT KNOB & SCREW ASSEMBLY	Steel	BA-4805
77	2	SET SCREW	Steel	BA-4894

Single to Double Head Conversion Kit BR43XX2CK available.
Kit includes items 44, 56, 67, 68, 69, 70, 71, 72, 73, 75, 77.

Note: Part quantities listed here are in addition to parts listed on standard 4300 assembly BOM.
If converting from single head model, items 57 and 74 must be removed to expose second head and stroke adjustment mounting points.