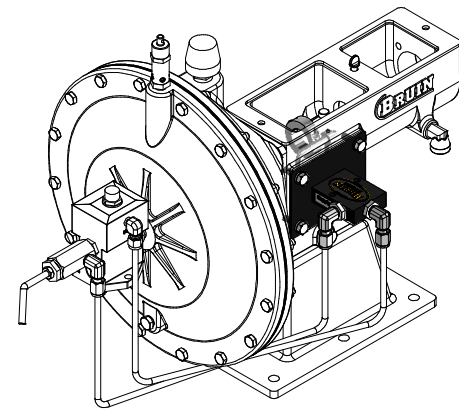
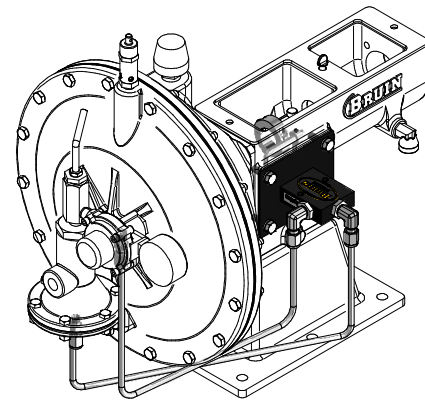
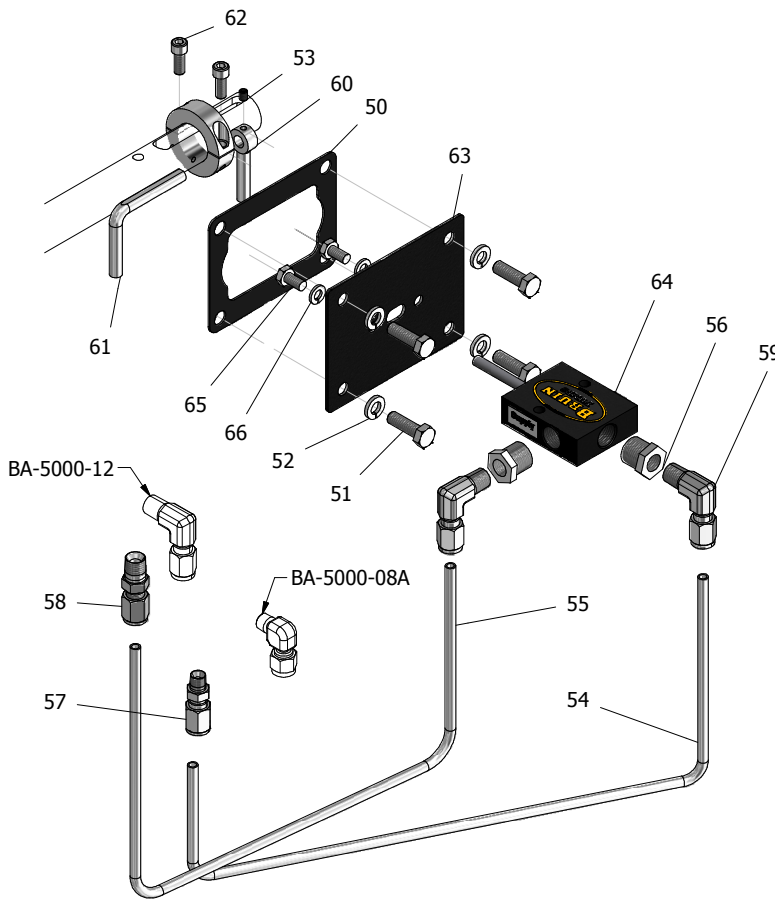


# BR5000 - Micro Switch Option



**SMC Valve Option**

## MICRO SWITCH OPTION

ITEM	QTY	TITLE	MATERIAL	STOCK NUMBER
50 r	1	GASKET	Buna N	BA-0058
51	4	HEX HEAD CAP SCREW	Carbon Steel	BA-0141
52	4	SPLIT LOCK WASHER	Carbon Steel	BA-0425
53	1	HEXAGON SOCKET SET SCREW	Carbon Steel	BA-5000-04
54	1	TUBING	Stainless Steel	BA-5000-05
55	1	TUBING - SUPPLY	Stainless Steel	BA-5000-06
56	2	ADAPTOR BUSHING	Brass - Plated	BA-5000-07
57	1	MALE CONNECTOR	Carbon Steel	BA-5000-08
58	1	MALE CONNECTOR	Carbon Steel	BA-5000-11
59	2	MALE ELBOW	Carbon Steel	BA-5000-12
60	1	SWITCHING ARM	Carbon Steel	BA-5000-13
61	1	ADJUSTMENT SWITCH ARM	Carbon Steel	BA-5000-14
62	2	HEX SOCKET CAP SCREW	Carbon Steel	BA-5000-15
63	1	MICRO SWITCH PLATE	Carbon Steel	BA-5100-01
64 r	1	MICRO SWITCH	N/A	BA-5100-02
65	2	HEX HEAD CAP SCREW	Carbon Steel	BA-5100-09
66	2	SPRING SPLIT LOCK WASHER	Carbon Steel	BA-5100-10
r		Recommended Spare parts		
		Micro Switch Conversion Kit	Includes Items 53 Thru 66	BA-5000CONV

### SMC Valve Option

Replace Tubing (BA-5000-05) with Tubing (BA-5000-05A)  
 Replace Tubing (BA-5000-06) with Tubing (BA-5000-06A)  
 Replace Male Connector (BA-5000-11) with Male Elbow (BA-5000-12)  
 Replace Male Connector (BA-5000-08) with Male Elbow (BA-5000-08A)

### Stainless Master Valve Option

Replace item 57 (BA-5000-08) with (BA-5000-08SS)  
 Replace item 58 (BA-5000-11) with (BA-5000-11SS)  
 Replace item 59 (BA-5000-12) with (BA-5000-12SS)