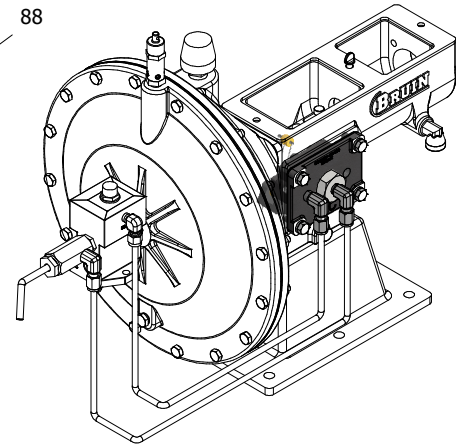
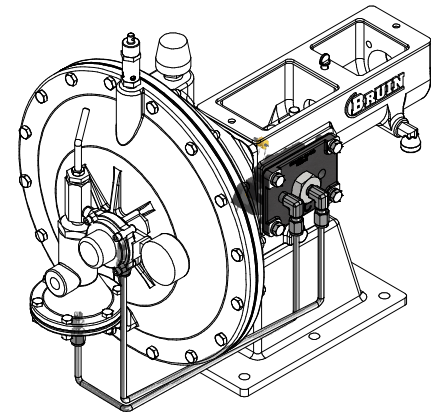
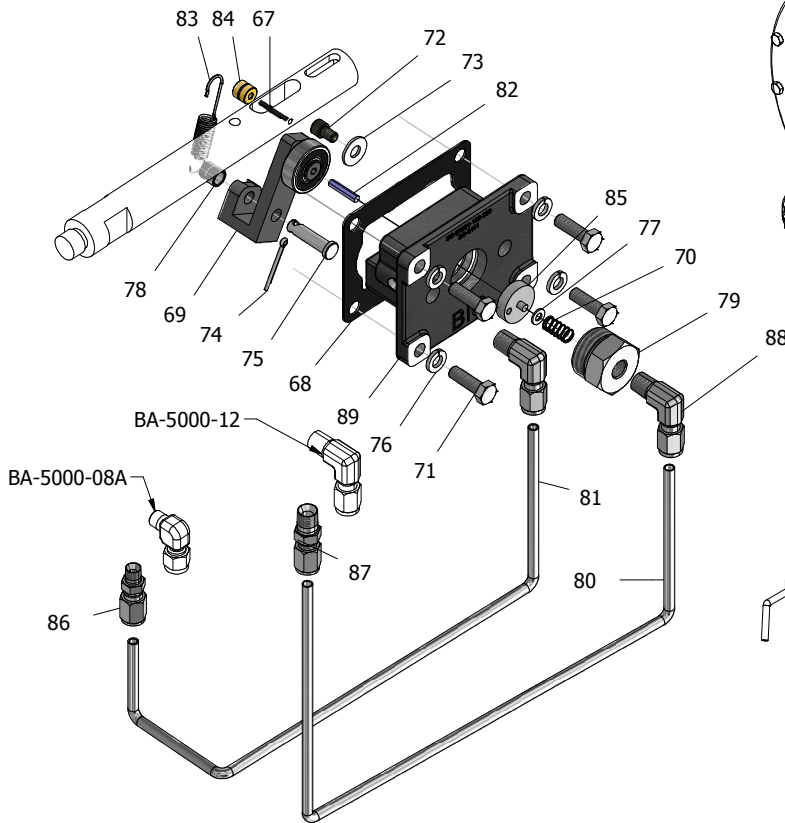


BR5000 - Pilot Valve Option



SMC Valve Option

PILOT VALVE OPTION

ITEM	QTY	TITLE	MATERIAL	STOCK NUMBER
67	1	ROLL PIN	Carbon Steel	BA-0020
68 r	1	GASKET	Buna N	BA-0058
69	1	FLIPPER ARM ASSEMBLY	N/A	BA-0065
70 r	1	BALL CHECK SPRING	Stainless Steel	BA-0077
71	4	HEX HEAD CAP SCREW	Carbon Steel	BA-0141
72	1	HEX SOCKET CAP SCREW	Alloy Steel (Black Oxide)	BA-0166
73	1	FLAT WASHER	Carbon Steel	BA-0167
74	1	COTTER PIN	Stainless Steel	BA-0168
75	1	CLEVIS PIN	Carbon Steel	BA-0170
76	4	SPLIT LOCK WASHER	Carbon Steel	BA-0425
77	1	FLAT WASHER	Stainless Steel	BA-0579
78	1	BOTTOM SPRING BUSHING	Brass	BA-0772
79	1	DISC RETAINER	Carbon Steel	BA-0906
80	1	TUBING - INLET	Stainless Steel	BA-1493
81	1	TUBING - OUTLET	Stainless Steel	BA-1494
82 r	1	VALVE DISC DRIVE PIN	Carbon Steel ASIS 1018 Hardened	BA-4062
83	1	FLIPPER SPRING	Music Wire	BA-4600
84	1	TOP SPRING BUSHING	Brass	BA-4601
85 r	1	VALVE DISC	Stainless Steel	BA-4653
86	1	MALE CONNECTOR	Carbon Steel	BA-5000-08
87	1	MALE CONNECTOR	Carbon Steel	BA-5000-11
88	2	MALE ELBOW	Carbon Steel	BA-5000-12
89	1	PILOT VALVE BODY	Cast Iron	BB-0441
r		Recommended Spare Parts		
		Valve disc & drive pin assembly	Contains parts BA-4062 & BA-4653	BA-4668
		Flipper spring kit	Contains parts BA-0020,BA-0772,BA-4601,BA-4600	BA-4671

SMC Valve Option

Replace Tubing (BA-1493) with Tubing (BA-1493A)
 Replace Tubing (BA-1494) with Tubing (BA-1494A)
 Replace Male Connector (BA-5000-08) with Male Elbow (BA-5000-08A)
 Replace Male Connector (BA-5000-11) with Male Elbow (BA-5000-12)

Stainless Master Valve Option

Replace item 86 (BA-5000-08) with part (BA-5000-08SS)
 Replace item 87 (BA-5000-11) with part (BA-5000-11SS)
 Replace items 88 (BA-5000-12) with part (BA-5000-12SS)