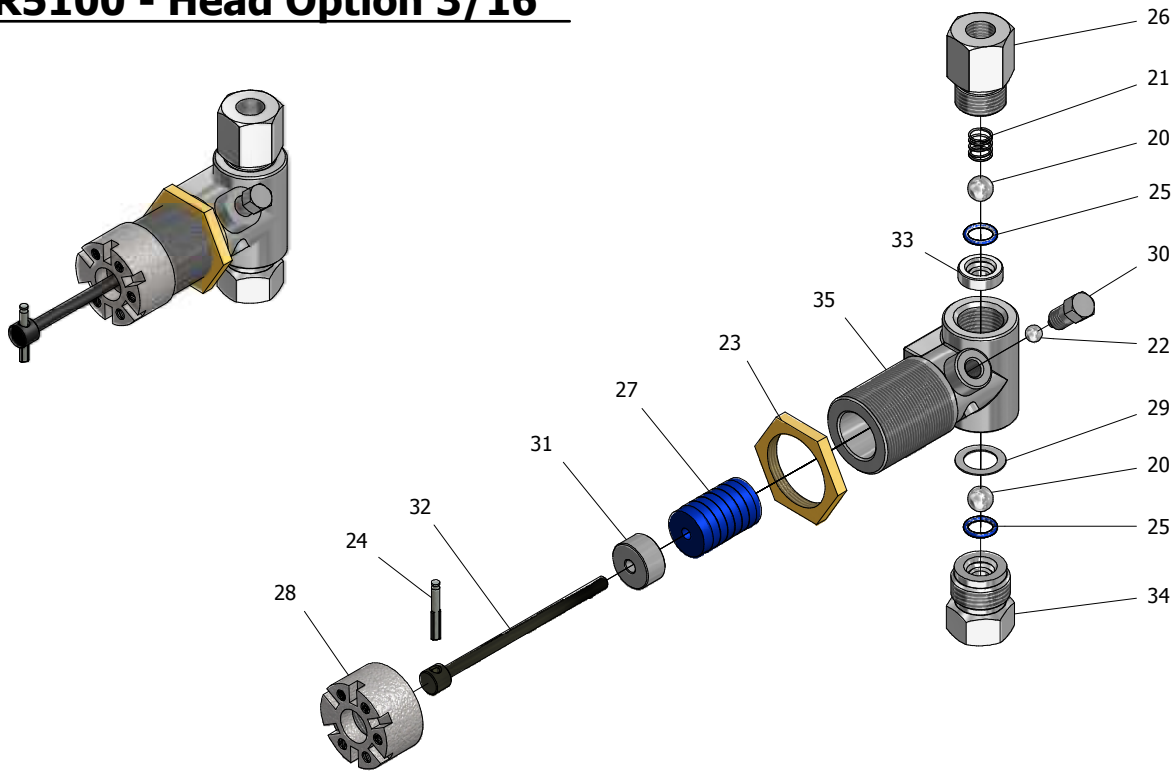


BR5100 - Head Option 3/16"



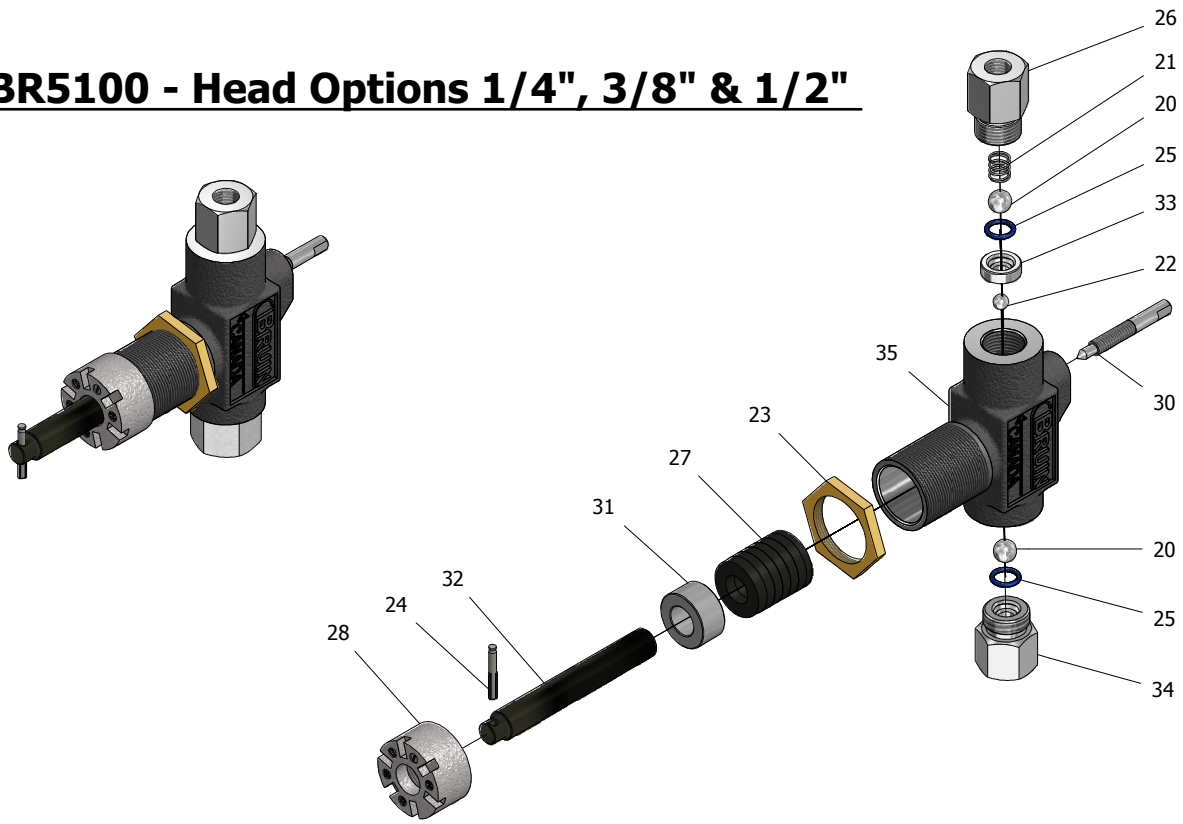
PLUNGER & PACKING SIZE

| ITEM | QTY | TITLE | MATERIAL | STOCK NUMBER |
|------|-----|---------------------------|---------------------|--------------|
| | | HEAD ASSEMBLY | All Stainless Steel | BB-1472 |
| 20 r | 2 | BALL BEARING 3/8" | Stainless Steel | BA-0054 |
| 21 r | 1 | BALL CHECK SPRING | Stainless Steel | BA-0077 |
| 22 r | 1 | BALL BEARING 1/4" | Stainless Steel | BA-0126 |
| 23 | 1 | YOKE LOCK NUT | Brass | BA-0225 |
| 24 r | 1 | PLUNGER PIN | Stainless Steel | BA-0290 |
| 25 r | 2 | O-RING | Buna N | BA-0479 |
| ° | 2 | O-RING | Viton | BA-0479V |
| ° | 2 | O-RING | Teflon | BA-0479T |
| ° | 2 | O-RING | Fluorosilicone | BA-0479F |
| ° | 2 | O-RING | Bruez | BA-0479K |
| ° | 2 | O-RING | HSN | BA-0479H |
| 26 r | 1 | TOP BUSHING | Stainless Steel | BA-1496 |
| 27 r | 1 | PACKING - BUNA | Buna N | BA-3969 |
| ° | 1 | PACKING - BUNA HARD | Buna Hard | BA-3948 |
| ° | 1 | PACKING - VITON | Viton | BA-3967 |
| ° | 1 | PACKING - TEFLON | Teflon | BA-3966 |
| ° | 1 | PACKING - FLUOROSILICONE | Fluorosilicone | BA-6256 |
| ° | 1 | PACKING - BUNA/TEFLON | Buna/Teflon | BA-3969T |
| ° | 1 | PACKING - VITON/TEFLON | Viton/Teflon | BA-3967T |
| 28 | 1 | PLUNGER PACKING GLAND NUT | Stainless Steel | BA-4104 |
| 29 r | 1 | GASKET | Stainless Steel | BA-4394 |
| 30 | 1 | PRIMING VALVE | Stainless Steel | BA-5462 |
| 31 | 1 | PLUNGER PACKING GLAND | Stainless Steel | BA-5642 |
| 32 r | 1 | PLUNGER | Stainless Steel | BA-5643 |
| 33 r | 1 | TOP SEAT | Stainless Steel | BB-0737 |
| 34 r | 1 | BOTTOM SEAT | Stainless Steel | BB-1216 |
| 35 | 1 | HEAD BODY | Stainless Steel | BC-2040 |
| r | | Recommended Spare Parts | | |
| ° | | Options | | |

Ceramic Ball Bearing Option

Replace 1/4" Ball (BA-0126) with 1/4" Ball (BA-0126CR)
 Replace 3/8" Ball (BA-0054) with 3/8" Ball (BA-0054CR)

BR5100 - Head Options 1/4", 3/8" & 1/2"



| PLUNGER & PACKING SIZE | | | | 1/4" | 3/8" | 1/2" |
|------------------------|-----|---------------------------|------------------------------|--------------|--------------|--------------|
| ITEM | QTY | TITLE | MATERIAL | STOCK NUMBER | STOCK NUMBER | STOCK NUMBER |
| | | HEAD ASSEMBLY | Ductile Stainless Steel Trim | BB-0166 | BB-0203 | BB-0496 |
| | | HEAD ASSEMBLY | All Stainless Steel | BB-0755 | BB-0756 | BB-0732 |
| | | | | | | |
| 20 r | 2 | BALL BEARING 3/8" | Stainless Steel | BA-0054 | BA-0054 | BA-0054 |
| 21 r | 1 | BALL CHECK SPRING | Stainless Steel | BA-0077 | BA-0077 | BA-0077 |
| 22 r | 1 | BALL BEARING 1/4" | Stainless Steel | BA-0126 | BA-0126 | BA-0126 |
| 23 | 1 | YOKE LOCK NUT | Brass | BA-0225 | BA-0225 | BA-0225 |
| 24 r | 1 | PLUNGER PIN | Carbon Steel | BA-0290 | BA-0290 | BA-0290 |
| 25 r | 2 | O-RING | Buna N | BA-0479 | BA-0479 | BA-0479 |
| ° | 2 | O-RING | Viton | BA-0479V | BA-0479V | BA-0479V |
| ° | 2 | O-RING | Teflon | BA-0479T | BA-0479T | BA-0479T |
| ° | 2 | O-RING | Fluorosilicone | BA-0479F | BA-0479F | BA-0479F |
| ° | 2 | O-RING | Bruez | BA-0479K | BA-0479K | BA-0479K |
| ° | 2 | O-RING | HSN | BA-0479H | BA-0479H | BA-0479H |
| 26 r | 1 | TOP BUSHING | Stainless Steel | BA-1496 | BA-1496 | BA-1496 |
| 27 r | 1 | PACKING - BUNA | Buna N | BA-1461 | BA-1456 | BA-0959 |
| ° | 1 | PACKING - BUNA HARD | Buna Hard | BA-2295 | BA-1875 | BA-1874 |
| ° | 1 | PACKING - VITON | Viton | BA-4102 | BA-4101 | BA-4103 |
| ° | 1 | PACKING - TEFLON | Teflon | BA-1642 | BA-1234 | BA-1012 |
| ° | 1 | PACKING - FLUOROSILICONE | Fluorosilicone | BA-6257 | BA-6258 | BA-6259 |
| ° | 1 | PACKING - BUNA/TEFLON | Buna/Teflon | BA-1461T | BA-1456T | BA-0959T |
| ° | 1 | PACKING - VITON/TEFLON | Viton/Teflon | BA-4102T | BA-4101T | BA-4103T |
| ° | 1 | PACKING - BRUEZ | Bruez | BA-4102E | BA-4101E | BA-4103E |
| 28 | 1 | PLUNGER PACKING GLAND NUT | Stainless Steel | BA-4104 | BA-4104 | BA-4104 |
| 30 | 1 | STRAIGHT PRIMING VALVE | Stainless Steel | BA-1497A | BA-1497A | BA-1497A |
| 31 | 1 | PLUNGER PACKING GLAND | Stainless Steel | BA-1463 | BA-0957 | BA-1219 |
| 32 r | 1 | PLUNGER | Stainless Steel | BA-1312 | BA-1745 | BA-1876 |
| 33 r | 1 | TOP SEAT | Stainless Steel | BB-0737 | BB-0737 | BB-0737 |
| 34 r | 1 | BOTTOM SEAT | Stainless Steel | BB-0736 | BB-0736 | BB-0736 |
| 35 | 1 | HEAD BODY | Ductile Iron | BC-0275 | BC-0276 | BC-0272 |
| ° | 1 | HEAD BODY | Stainless Steel | BC-0291 | BC-0425 | BB-0349 |
| | | | | | | |
| r | | Recommended Spare Parts | | | | |
| ° | | Options | | | | |

Ceramic Ball Bearing Option

Replace 1/2" Ball (BA-0053) with 1/2" Ball (BA-0053CR)
 Replace 1/4" Ball (BA-0126) with 1/4" Ball (BA-0126CR)
 Replace 3/8" Ball (BA-0054) with 3/8" Ball (BA-0054CR)

Metal to Metal Seal Option

Replace 3/8" bottom seat ball, item 20 (BA-0054) only with 1/2" ball (BA-0053)
 Replace Top Seat, item 33 (BB-0737) with Top Seat (BA-0806)
 Replace Bottom Seat, item 34 (BB-0736) with Bottom Seat (BA-0771)
 Remove o-ring seals (item 25)