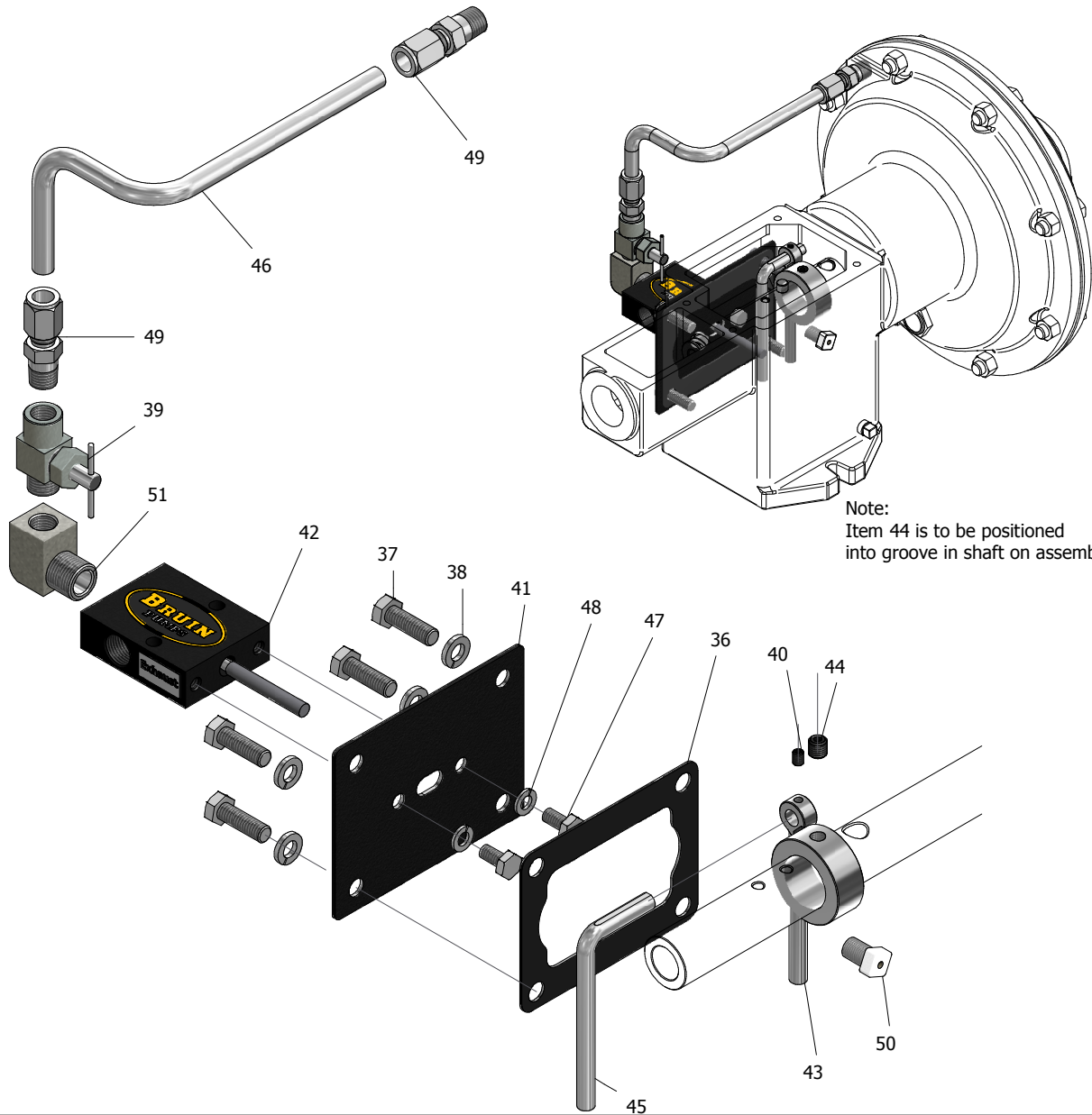


BR5100 - Micro Switch Option



Note:
Item 44 is to be positioned
into groove in shaft on assembly

MICRO SWITCH OPTION

ITEM	QTY	TITLE	MATERIAL	STOCK NUMBER
36 r	1	GASKET	Buna N	BA-0058
37	4	HEX HEAD CAP SCREW - 5/16-18 X 3/4	Carbon Steel Plated	BA-0141
38	4	SPLIT LOCK WASHER	Carbon Steel Plated	BA-0425
39	1	SPEED CONTROL VALVE	Brass Plated	BA-2489
40	1	HEXAGON SOCKET SET SCREW	Carbon Steel Plated	BA-5000-04
41	1	MICRO SWITCH PLATE	Carbon Steel	BA-5100-01
42 r	1	MICRO SWITCH	N/A	BA-5100-02
43	1	SWITCHING ARM	Carbon Steel Plated	BA-5100-03
44	1	HEX SOCKET SET SCREW	Carbon Steel Plated	BA-5100-04
45	1	ADJUSTMENT SWITCH ARM	Carbon Steel Plated	BA-5100-06
46	1	TUBING	Stainless Steel	BA-5100-07
47	2	HEX HEAD CAP SCREW	Carbon Steel Plated	BA-5100-09
48	2	SPRING SPLIT LOCK WASHER	Carbon Steel Plated	BA-5100-10
49	2	MALE CONNECTOR	Steel Plated	BA-5100-11
50	1	VENT PLUG	Delrin	BA-5100-13
51	1	90° STREET ELBOW	Brass Plated	BA-5100-14
r		Recommended Spare Parts		
		Micro Switch Conversion Kit		BA-5100CONV

Micro Switch Conversion Kit

Includes items 39 thru 51