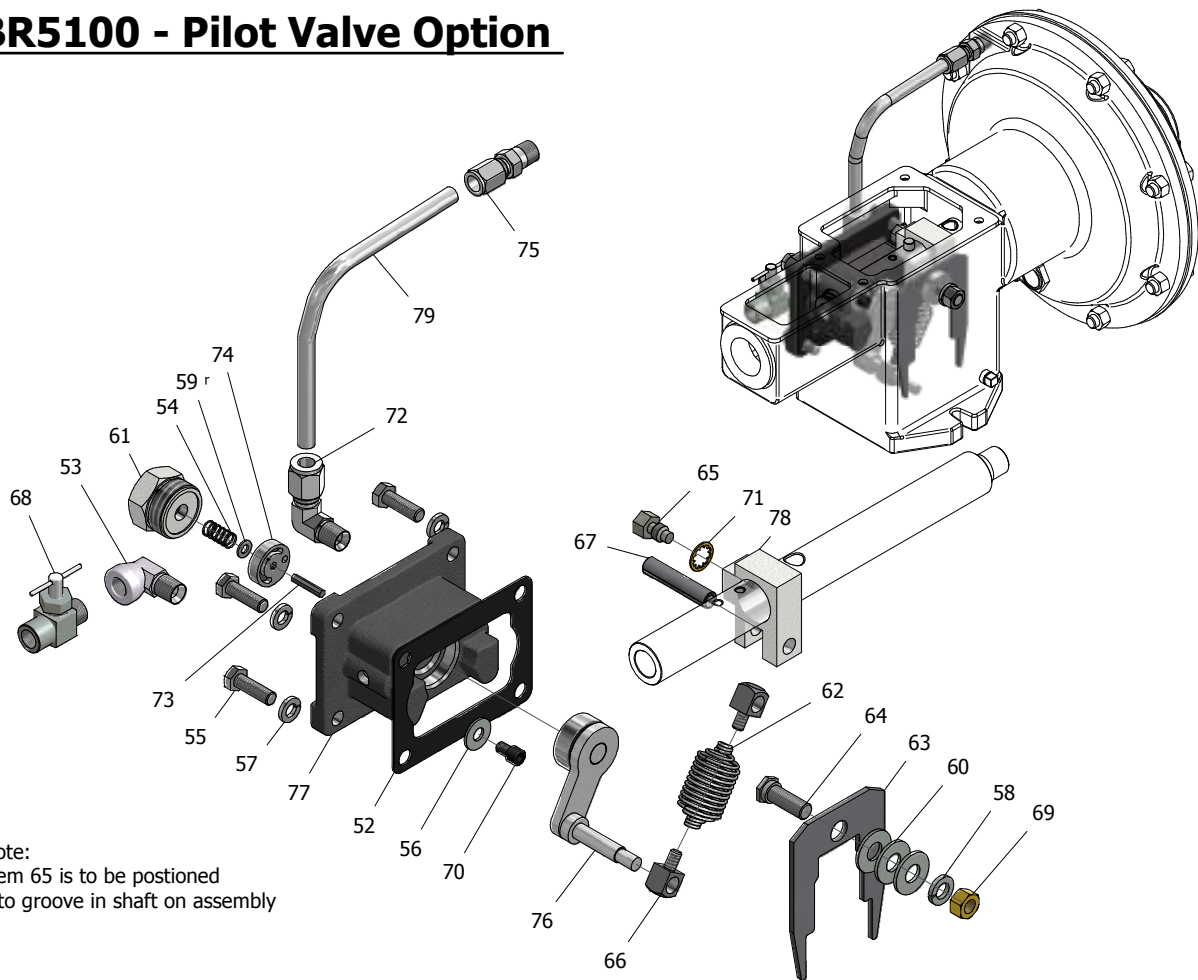


# BR5100 - Pilot Valve Option



Note:  
Item 65 is to be positioned  
into groove in shaft on assembly

## PILOT VALVE OPTION

ITEM	QTY	TITLE	MATERIAL	STOCK NUMBER
52 r	1	GASKET	Buna N	BA-0058
53	1	STREET ELBOW	Steel Plated	BA-0075
54 r	1	BALL CHECK SPRING	Stainless Steel	BA-0077
55	4	HEX HEAD CAP SCREW	Carbon Steel Plated	BA-0143
56	1	FLAT WASHER	Carbon Steel Plated	BA-0167
57	4	SPLIT LOCK WASHER	Carbon Steel Plated	BA-0425
58	1	SPLIT LOCK WASHER	Carbon Steel Plated	BA-0459
59 r	1	FLAT WASHER	Stainless Steel	BA-0579
60	3	FLAT WASHER	Carbon Steel Plated	BA-0746
61 r	1	DISC RETAINER	Carbon Steel Plated	BA-0906
62 r	1	FLIPPER SPRING	Steel	BA-1820
63	1	BUMPER PLATE	Carbon Steel Plated	BA-1823
64	1	BUMPER PLATE SCREW	Carbon Steel Plated	BA-1827
65	1	HEX HEAD SCREW	Carbon Steel Plated	BA-1829
66 r	2	SPRING ADAPTOR	Carbon Steel Plated	BA-1838
67	1	SLOTTED SPRING TENSION PIN	Carbon Steel	BA-2355
68 r	1	EXHAUST CONTROL VALVE	Brass Plated	BA-2489
69	1	HEX NUT	Carbon Steel Plated	BA-3323
70	1	HEX SOCKET CAP SCREW	Alloy Steel	BA-3387
71 r	1	TOOTH LOCK WASHER	Steel	BA-3406
72	1	MALE ELBOW	Steel Plated	BA-4016
73 r	1	VALVE DISC DRIVE PIN	Carbon Steel	BA-4062
74 r	1	VALVE DISC	Stainless Steel	BA-4147A
75	1	MALE CONNECTOR	Steel Plated	BA-5100-11
76 r	1	FLIPPER ARM ASSEMBLY	Stainless Steel	BB-0440
77	1	PILOT VALVE BODY	Cast Iron	BB-0441
78	1	TRIP STIRRUP	Carbon Steel Plated	BB-0471
79	1	TUBING 3/8"	Stainless Steel	BB-1193
r		Recommended Spare Parts		
		Valve disc & drive pin assembly	Contains : BA-4147A & BA-4062	BA-4147
		BR5100 Pilot Valve Assembly	Contains : 53,54,56,59,61,68,70,72,73,74,76,77	BB-0446