



Low Supply Pressure
Spring Option

BR5130

Pneumatically Operated Chemical Injection Pump

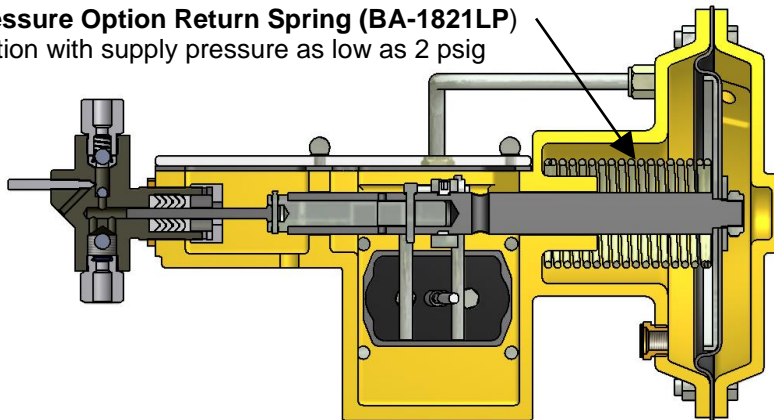
The BR5130 series pump is designed for use where a low supply pressure is available and a low injection pressure (equal to supply pressure) is required. A modified return spring reduces the supply pressure necessary for pump operation and prevents stalling at low supply pressures.

Highlights

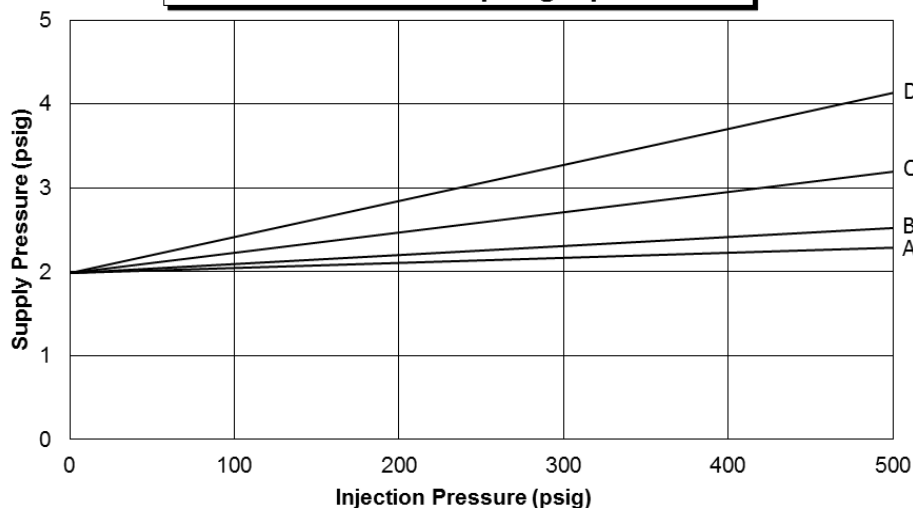
- Operates with supply pressures as low as 2 psi (with low injection pressures).
- A maximum stroke rate of 4 strokes/minute at a supply pressure of 2 psi. With a 2 psi supply pressure a maximum flow rate of 18.34 litres per day is achievable with a 1/2" plunger at 0 psi discharge pressure.
- A minimum of 4 psi supply pressure is required for a stroke rate of 30 strokes/minute.
- Can be used at higher injection pressures with higher supply pressure (35 psi maximum).

Low Supply Pressure Option Return Spring (BA-1821LP)

-Allows operation with supply pressure as low as 2 psig



**BR5130 Supply Pressure Requirements
Low Pressure Spring Option**



A - 3/16" Plunger

B - 1/4" Plunger

C - 3/8" Plunger

D - 1/2" Plunger

9001-20 Street NW, Edmonton, Alberta, Canada T6P 1K8
Email: info@bruinpumps.com

Phone: 780-430-1777

Fax: 780-449-5233

www.bruinpumps.com