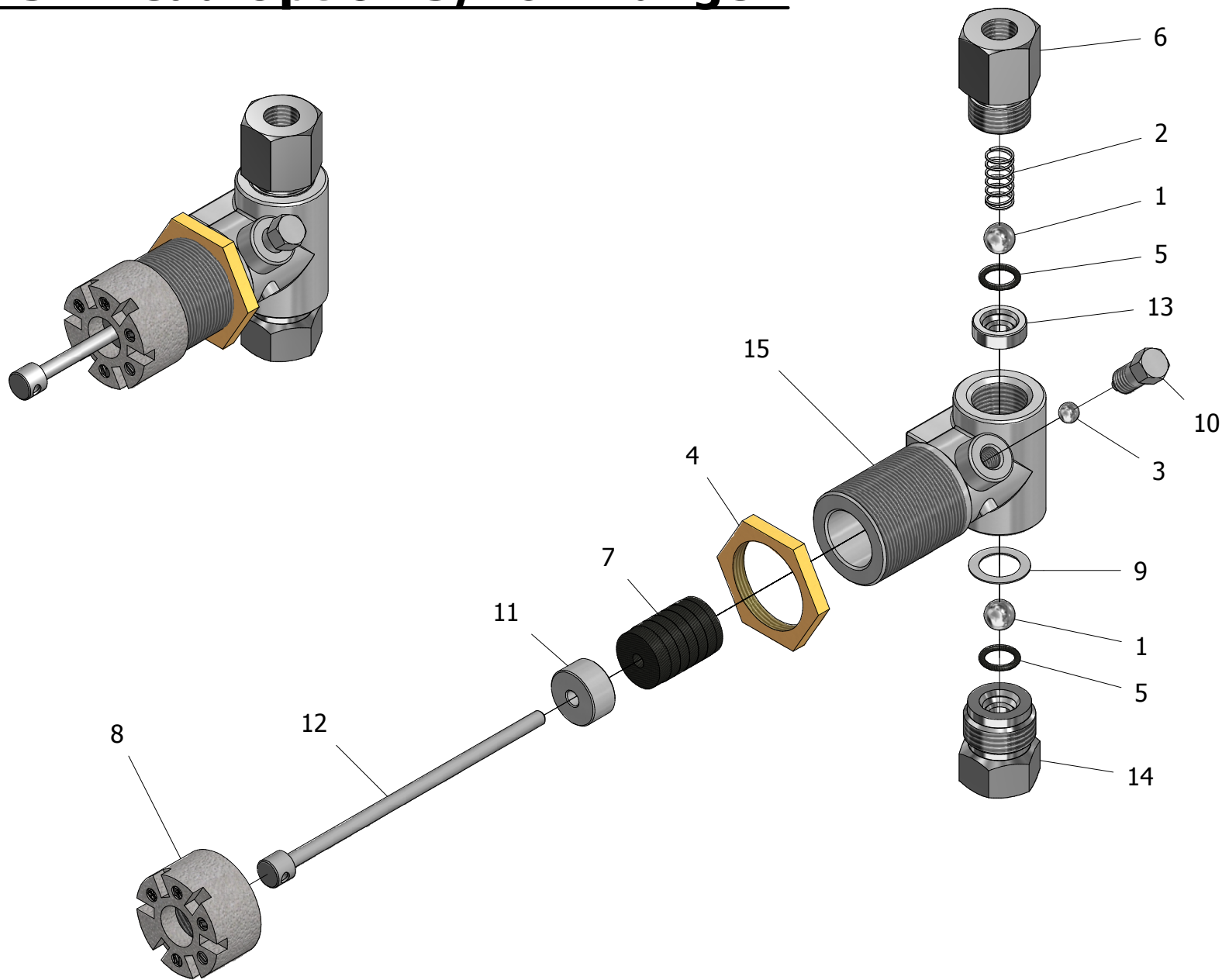


BRX3 - Head Option 3/16" Plunger



PLUNGER & PACKING SIZE

3/16"

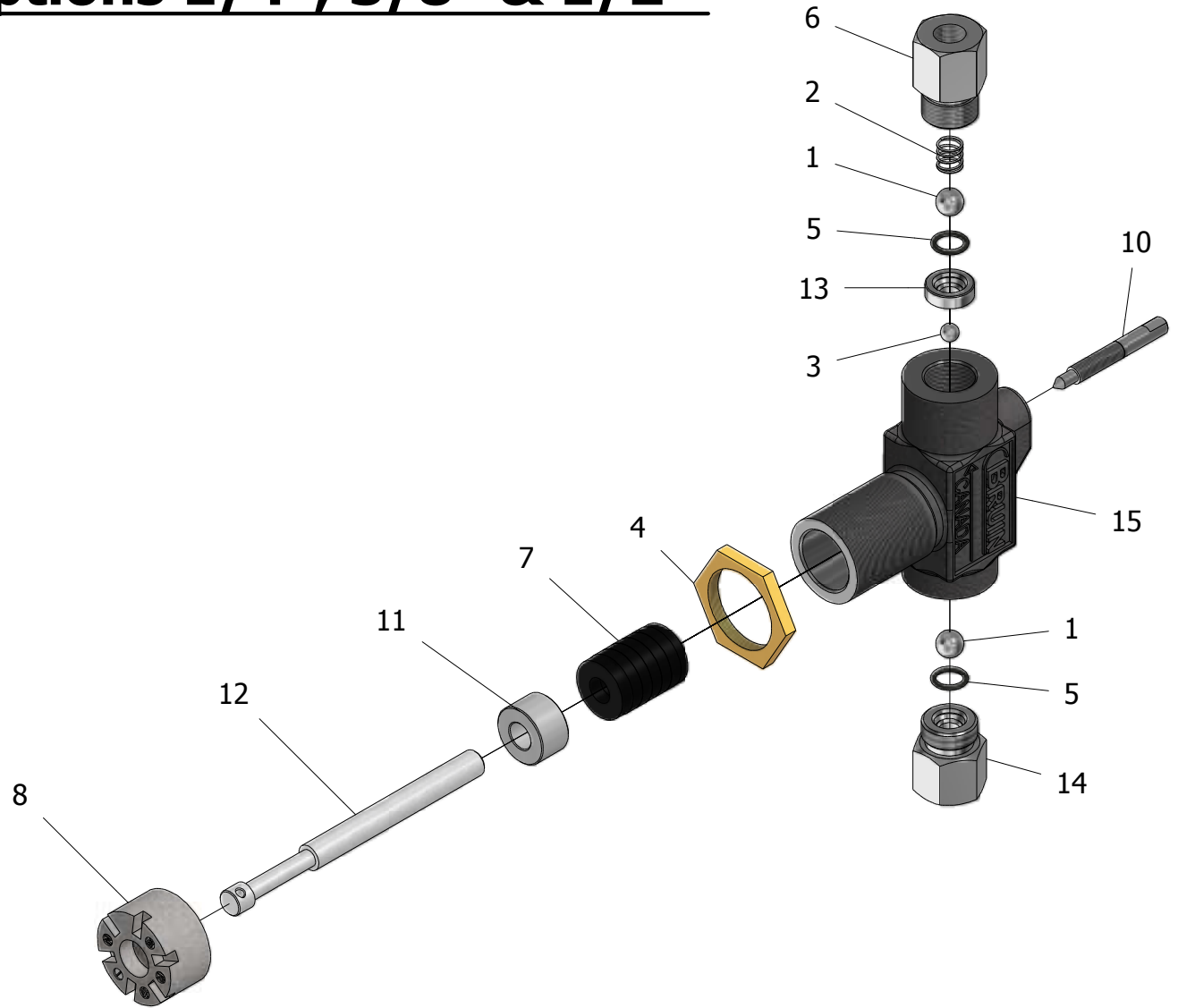
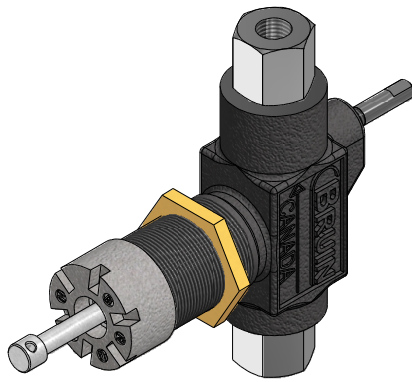
ITEM	QTY	TITLE	MATERIAL	STOCK NUMBER
		HEAD ASSEMBLY	All Stainless Steel	BC-2136
1 r	2	BALL BEARING 3/8"	Stainless Steel	BA-0054
2 r	1	BALL CHECK SPRING	Stainless Steel	BA-0077
3 r	1	BALL BEARING 1/4"	Stainless Steel	BA-0126
4	1	YOKE LOCK NUT	Brass	BA-0225
5 r	2	O-RING	Buna N	BA-0479
o	2	O-RING	Fluorosilicone	BA-0479F
o	2	O-RING	HSN	BA-0479H
o	2	O-RING	Bruez	BA-0479K
o	2	O-RING	Teflon	BA-0479T
o	2	O-RING	Viton	BA-0479V
6 r	1	TOP BUSHING	Stainless Steel	BA-1496
7 r	1	PACKING - BUNA	Buna N	BA-3969
o	1	PACKING - BUNA HARD	Buna Hard	BA-3948
o	1	PACKING - FLUROSILICONE	Fluorosilicone	BA-6256
o	1	PACKING - TEFLON	Teflon	BA-3966
o	1	PACKING - VITON	Viton	BA-3967
o	1	PACKING - BUNA/TEFLON	Buna/Teflon	BA-3969T
o	1	PACKING - VITON/TEFLON	Viton/Teflon	BA-3967T
8	1	PLUNGER PACKING GLAND NUT	Stainless Steel	BA-4104
9 r	1	GASKET	Stainless Steel	BA-4394
10	1	PRIMING VALVE	Stainless Steel	BA-5462
11	1	PLUNGER PACKING GLAND	Stainless Steel	BA-5642
12 r	1	PLUNGER	Stainless Steel	BA-6268A
13 r	1	TOP SEAT	Stainless Steel	BB-0737
14 r	1	BOTTOM SEAT	Stainless Steel	BB-1216
15	1	HEAD BODY	Stainless Steel	BC-2040
o		Options		
r		Recommended Spare Parts		

Ceramic Ball Bearing Option

Replace 3/8" Ball (BA-0054) with 3/8" Ball (BA-0054CR)

Replace 1/4" Ball (BA-0126) with 1/4" Ball (BA-0126CR)

BRX3 - Head Options 1/4", 3/8" & 1/2"



PLUNGER & PACKING SIZE

				1/4"	3/8"	1/2"
ITEM	QTY	TITLE	MATERIAL	STOCK NUMBER	STOCK NUMBER	STOCK NUMBER
		HEAD ASSEMBLY	Ductile Iron	BC-2137A	BC-2138A	BC-2139A
		HEAD ASSEMBLY	All Stainless Steel	BC-2137	BC-2138	BC-2139
1 r	2	BALL BEARING 3/8"	Stainless Steel	BA-0054	BA-0054	BA-0054
2 r	1	BALL CHECK SPRING	Stainless Steel	BA-0077	BA-0077	BA-0077
3 r	1	BALL BEARING 1/4"	Stainless Steel	BA-0126	BA-0126	BA-0126
4	1	YOKE LOCK NUT	Brass	BA-0225	BA-0225	BA-0225
5 r	2	O-RING	Buna N	BA-0479	BA-0479	BA-0479
°	2	O-RING	Fluorosilicone	BA-0479F	BA-0479F	BA-0479F
°	2	O-RING	HSN	BA-0479H	BA-0479H	BA-0479H
°	2	O-RING	Bruez	BA-0479K	BA-0479K	BA-0479K
°	2	O-RING	Teflon	BA-0479T	BA-0479T	BA-0479T
°	2	O-RING	Viton	BA-0479V	BA-0479V	BA-0479V
6 r	1	TOP BUSHING	Stainless Steel	BA-1496	BA-1496	BA-1496
7 r	1	PACKING - BUNA	Buna N	BA-1461	BA-1456	BA-0959
°	1	PACKING - BUNA HARD	Buna Hard	BA-2295	BA-1875	BA-1874
°	1	PACKING - FLUOROSILICONE	Fluorosilicone	BA-6257	BA-6258	BA-6259
°	1	PACKING - BRUEZ	Bruez	BA-4102E	BA-4101E	BA-4103E
°	1	PACKING - TEFLON	Teflon	BA-1642	BA-1234	BA-1012
°	1	PACKING - VITON	Viton	BA-4102	BA-4101	BA-4103
°	1	PACKING - BUNA/TEFLON	Buna/Teflon	BA-1461T	BA-1456T	BA-0959T
°	1	PACKING - VITON/TEFLON	Viton/Teflon	BA-4102T	BA-4101T	BA-4103T
8	1	PLUNGER PACKING GLAND NUT	Stainless Steel	BA-4104	BA-4104	BA-4104
10	1	STRAIGHT PRIMING VALVE	Stainless Steel	BA-1497A	BA-1497A	BA-1497A
11	1	PLUNGER PACKING GLAND	Stainless Steel	BA-1463	BA-0957	BA-1219
12 r	1	PLUNGER	Stainless Steel	BA-6269A	BA-6270A	BA-6271A
13 r	1	TOP SEAT	Stainless Steel	BB-0737	BB-0737	BB-0737
14 r	1	BOTTOM SEAT	Stainless Steel	BB-0736	BB-0736	BB-0736
15	1	HEAD BODY	Ductile Iron	BC-0275	BC-0276	BC-0272
°	1	HEAD BODY	Stainless Steel	BC-0291	BC-0425	BB-0349
°		Options				
r		Recommended Spare Parts				

Metal to Metal Seal Option

Replace 3/8" bottom seat ball, item 1 (BA-0054) only with 1/2" ball (BA-0053)
 Replace Top Seat, item 13 (BB-0737) with Top Seat (BA-0806)
 Replace Bottom Seat, item 14 (BB-0736) with Bottom Seat (BA-0771)
 Remove o-ring seals (item 5)

Ceramic Ball Bearing Option

Replace 1/2" Ball (BA-0053) with 1/2" Ball (BA-0053CR)
 Replace 1/4" Ball (BA-0126) with 1/4" Ball (BA-0126CR)
 Replace 3/8" Ball (BA-0054) with 3/8" Ball (BA-0054CR)