

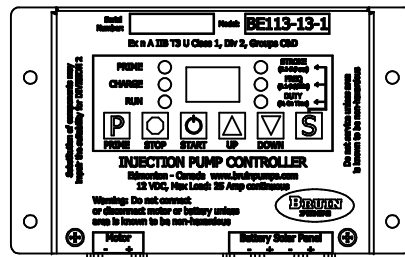
Solar Electrical Enclosure - 1 Battery Layout (BE-0113-20C-1)

DC Power Supply System

CLASS 1 DIV 1

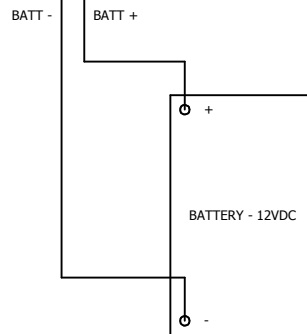
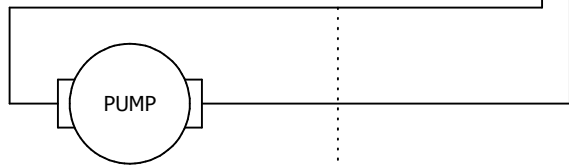
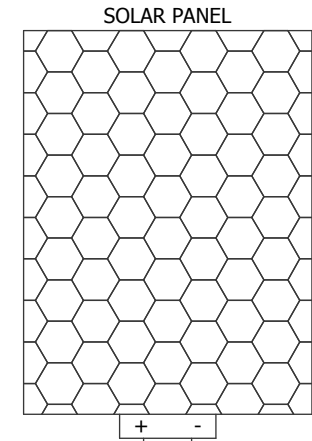
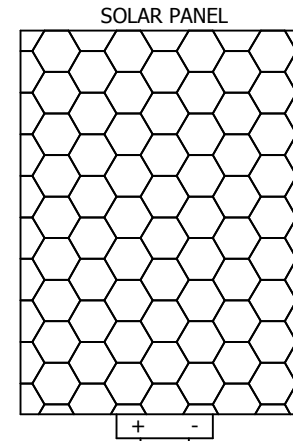
CLASS 1 DIV 2

PUMP CONTROLLER
BE-0113-1 - 8 Amp Charge Controller
BE-0113-1A - 15 Amp Charge Controller



BE-0113-22-50 - 50W
BE-0113-22-80 - 80W
BE-0113-22-130 - 130W

Additional panels added in parallel



BE-0113-21-100 - AGM 100Ah

Additional batteries added in parallel

Solar Electrical Enclosure - Controller Layout (BE-0113-20C-1)

