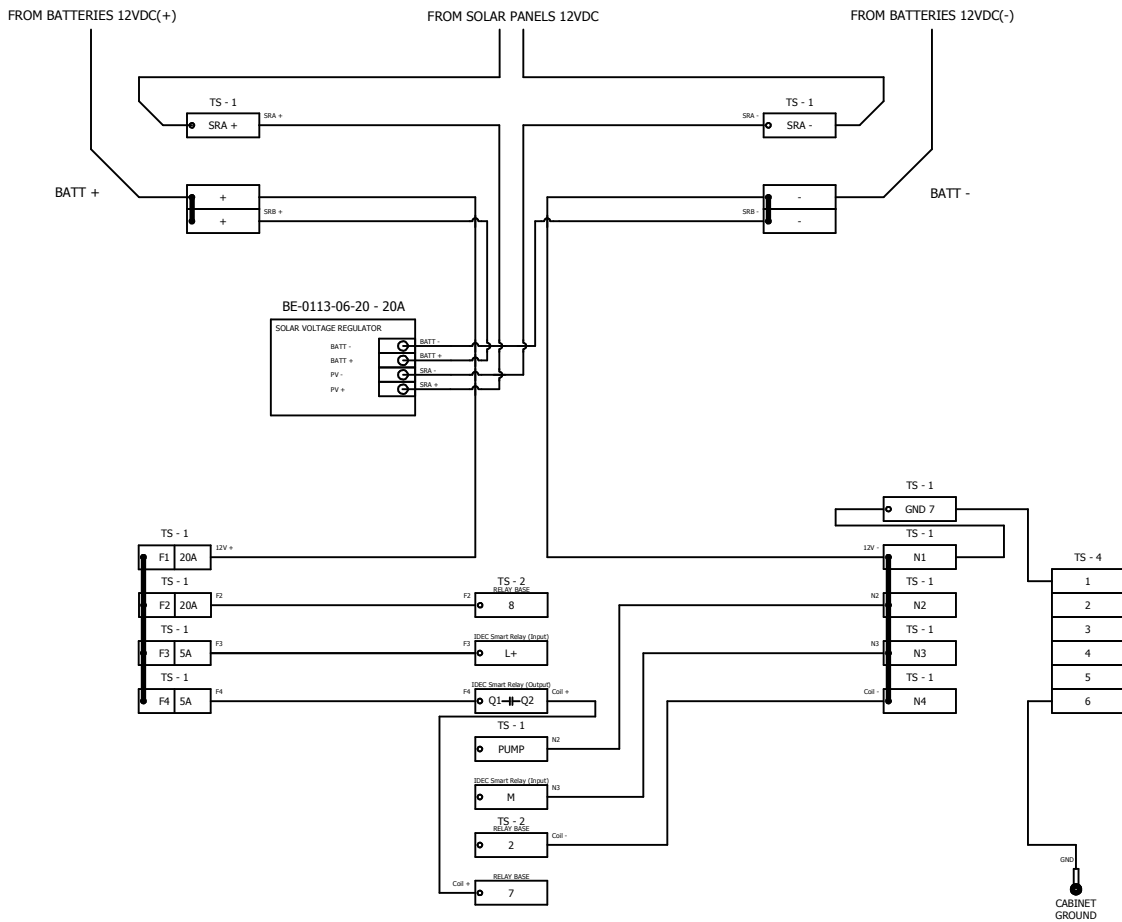
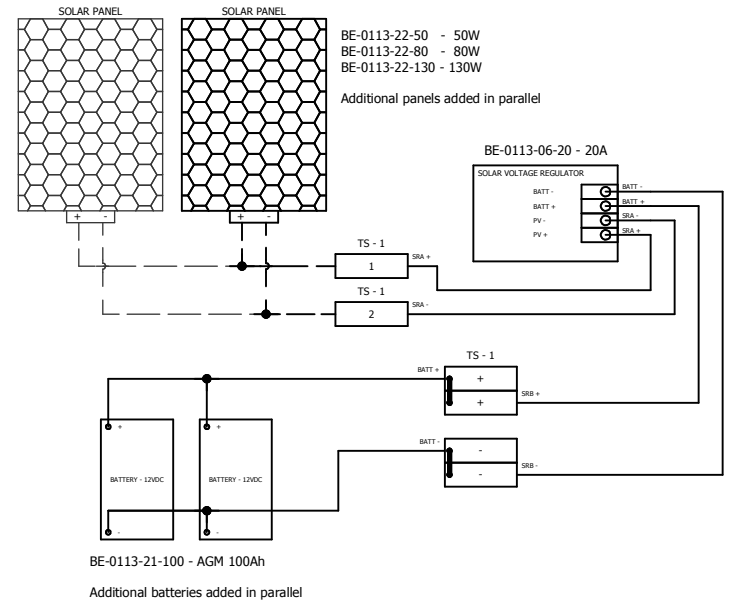


# Solar Electrical Enclosure - 2 Battery Layout (BE-0113-20-2)

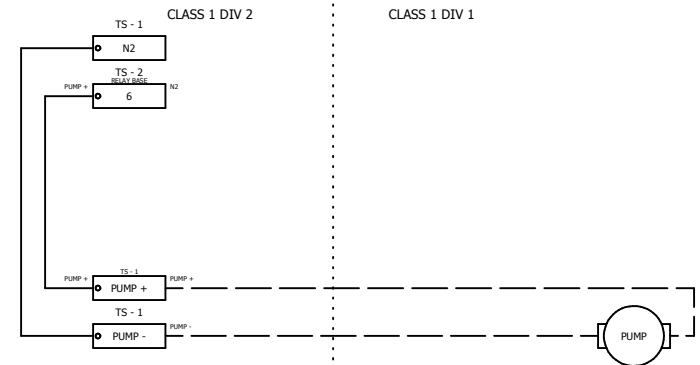
## DC Power Distribution



## DC Power Supply System



## I/O Distribution



# Solar Electrical Enclosure - Backpan Layout (BE-0113-20-2)

